

jaga

AUDI MEMBER EN 442

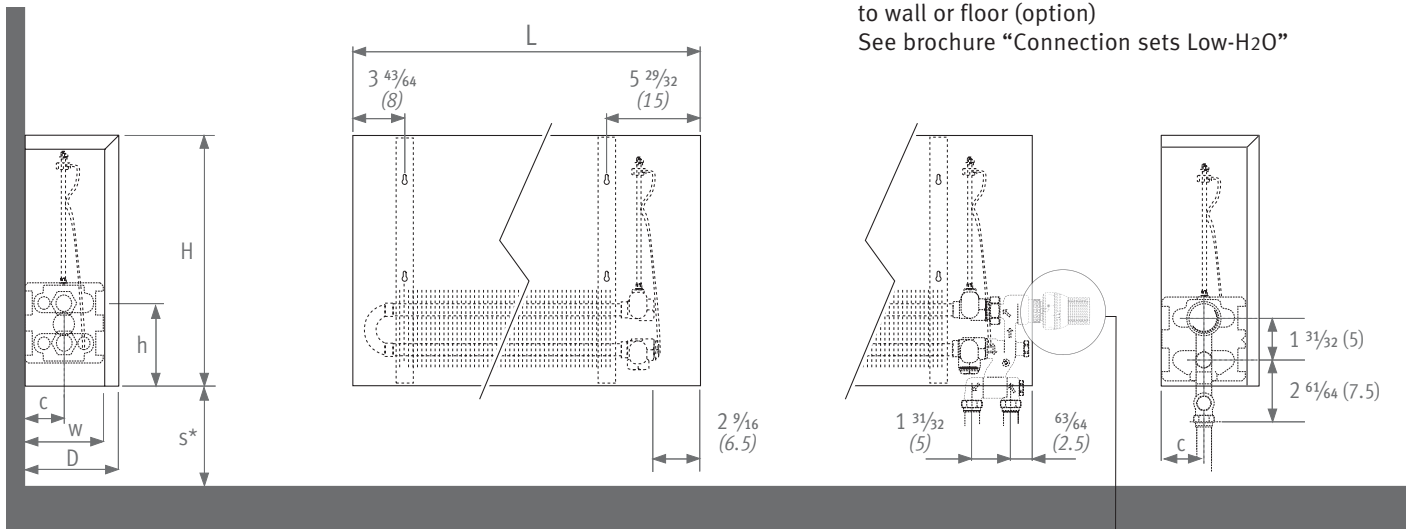
LOW H₂O

30 YEAR GUARANTEE

BASIC

Dimensions & heat output

DIMENSIONS



UNIVERSAL CONNECTION SET

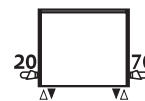
to wall or floor (option)

See brochure "Connection sets Low-H₂O"

* Smaller dimensions can decrease output.

Type	d	h	D	c	s
10	3 15/16 (10)	3 15/16 (10)	4 11/16 (11.9)	2 11/64 (5.5)	3 15/16 (10)
15	5 29/32 (15)	3 15/16 (10)	6 21/32 (16.9)	3 5/32 (8.0)	4 23/32 (12)
20	7 7/8 (20)	3 15/16 (10)	8 5/8 (21.9)	4 9/64 (10.5)	5 29/32 (15)

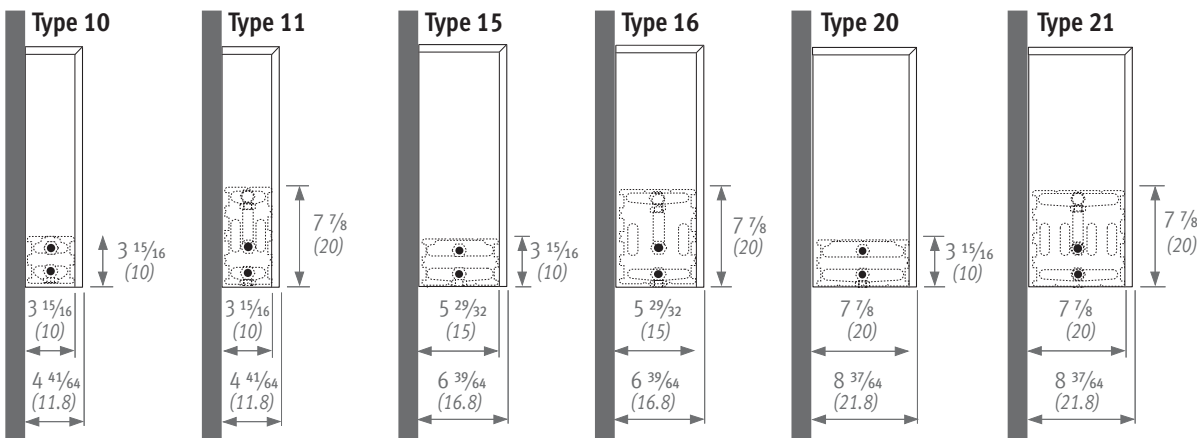
Type	d	h	D	c	s
11	3 15/16 (10)	7 7/8 (20)	4 11/16 (11.9)	2 11/64 (5.5)	3 15/16 (10)
16	5 29/32 (15)	7 7/8 (20)	6 21/32 (16.9)	3 5/32 (8.0)	4 23/32 (12)
21	7 7/8 (20)	7 7/8 (20)	8 5/8 (21.9)	4 9/64 (10.5)	5 29/32 (15)



CONNECTION


Standard closed side panels /00.

Apply order code /20 or /70 for open side panel for thermostat.



Note: dimensions in "()" are shown in centimeters.

The information in this technical brochure is correct at the time of printing. Jaga reserves the right to change product specification at any time in line with our policy of continuous improvement and innovation.

 The dimensions shown in the tables have been rounded off to 0.5".
Dimensions in cm are exact. (1 cm = 0.394")

BASIC TYPE 10

code height length type color conn.
ORDER CODE: BASW. 022 050 10. XXX /5 /00

mean T °F (°C)	L	19.5"	23.5"	27.5"	31.5"	35.5"	39.5"	43.5"	47"	55"	63"	71"	78.5"	94.5"	110"
	H	(050)	(060)	(070)	(080)	(090)	(100)	(110)	(120)	(140)	(160)	(180)	(200)	(240)	(280)
170 (76.7)	8.5"	1527	1833	2138	2444	2749	3055	3360	3666	4277	4888	5499	6110	7332	8554
160 (71.1)	(022)	1325	1590	1855	2120	2385	2650	2915	3181	3711	4241	4771	5301	6362	7422
130 (54.4)		773	928	1083	1238	1392	1547	1702	1857	2166	2476	2785	3095	3714	4333
110 (43.3)		459	551	643	735	826	918	1010	1102	1286	1470	1653	1837	2205	2572
170 (76.7)	12.5"	1779	2130	2486	2842	3198	3553	3909	4265	4977	5684	6396	7107	8531	9950
160 (71.1)	(032)	1545	1850	2159	2468	2778	3087	3396	3705	4323	4937	5556	6174	7410	8643
130 (54.4)		906	1085	1266	1447	1628	1809	1991	2172	2534	2895	3257	3619	4344	5067
110 (43.3)		540	646	754	862	970	1078	1186	1294	1510	1725	1941	2157	2589	3020
170 (76.7)	16.5"	1957	2351	2740	3133	3522	3915	4309	4698	5480	6267	7049	7831	9396	10965
160 (71.1)	(042)	1702	2044	2382	2724	3063	3405	3747	4085	4765	5449	6130	6810	8171	9535
130 (54.4)		1002	1203	1402	1604	1803	2004	2206	2405	2805	3208	3609	4009	4810	5613
110 (43.3)		599	720	839	960	1079	1199	1320	1439	1679	1920	2159	2399	2879	3359
170 (76.7)	20.5"	2093	2511	2929	3351	3769	4187	4605	5023	5863	6699	7539	8375	10051	11727
160 (71.1)	(052)	1822	2186	2550	2918	3281	3645	4009	4373	5104	5832	6563	7291	8750	10209
130 (54.4)		1077	1292	1507	1725	1940	2155	2370	2585	3017	3448	3880	4310	5173	6035
110 (43.3)		647	776	906	1036	1165	1295	1424	1553	1813	2072	2331	2590	3108	3627
170 (76.7)	24"	2195	2634	3072	3510	3948	4387	4825	5263	6140	---	---	---	---	---
160 (71.1)	(062)	1913	2295	2677	3059	3441	3823	4205	4587	5351	---	---	---	---	---
130 (54.4)		1136	1362	1589	1816	2043	2269	2496	2723	3177	---	---	---	---	---
110 (43.3)		685	822	959	1095	1232	1369	1506	1643	1916	---	---	---	---	---
170 (76.7)	28"	2267	2717	3172	3626	4076	4531	4985	5435	6344	---	---	---	---	---
160 (71.1)	(072)	1978	2371	2767	3164	3556	3953	4349	4742	5535	---	---	---	---	---
130 (54.4)		1179	1413	1650	1886	2120	2356	2593	2827	3300	---	---	---	---	---
110 (43.3)		714	856	999	1142	1284	1427	1570	1712	1999	---	---	---	---	---
170 (76.7)	36"	2352	2821	3291	3765	4234	4704	5174	5643	6587	---	---	---	---	---
160 (71.1)	(092)	2056	2467	2878	3292	3703	4113	4524	4935	5759	---	---	---	---	---
130 (54.4)		1236	1483	1730	1979	2226	2473	2719	2966	3462	---	---	---	---	---
110 (43.3)		755	905	1056	1208	1359	1510	1661	1811	2114	---	---	---	---	---

BTU/hr with 65°F (18.3°C) entering air and 1 GPM flow rate

BASIC TYPE 11

code height length type color conn.
ORDER CODE: BASW. 032 050 11. XXX /5 /00

mean T °F (°C)	L	19.5"	23.5"	27.5"	31.5"	35.5"	39.5"	43.5"	47"	55"	63"	71"	78.5"	94.5"	110"
	H	(050)	(060)	(070)	(080)	(090)	(100)	(110)	(120)	(140)	(160)	(180)	(200)	(240)	(280)
170 (76.7)	12.5"	2086	2504	2922	3336	3754	4172	4590	5009	5841	6677	7509	8345	10014	11682
160 (71.1)	(032)	1803	2165	2526	2884	3246	3607	3969	4330	5050	5773	6492	7215	8657	10100
130 (54.4)		1038	1247	1455	1661	1869	2077	2285	2494	2908	3324	3739	4155	4986	5816
110 (43.3)		608	730	852	973	1095	1217	1339	1461	1703	1947	2190	2434	2921	3407
170 (76.7)	16.5"	2369	2841	3314	3787	4260	4733	5206	5679	6625	7575	8521	9467	11359	13255
160 (71.1)	(042)	2050	2459	2868	3277	3687	4096	4505	4914	5733	6555	7374	8192	9829	11470
130 (54.4)		1184	1421	1657	1894	2130	2367	2603	2840	3313	3788	4261	4734	5680	6628
110 (43.3)		696	835	974	1113	1252	1391	1530	1669	1947	2226	2504	2782	3339	3896
170 (76.7)	20.5"	2590	3109	3628	4143	4662	5181	5700	6219	7253	8291	9325	10363	12435	14506
160 (71.1)	(052)	2244	2693	3143	3589	4038	4488	4938	5387	6283	7182	8077	8976	10771	12566
130 (54.4)		1301	1562	1823	2082	2342	2603	2864	3125	3644	4166	4685	5207	6248	7289
110 (43.3)		768	921	1075	1228	1382	1536	1689	1843	2150	2458	2764	3072	3686	4300
170 (76.7)	24"	2774	3330	3882	4439	4991	5548	6104	6657	7765	---	---	---	---	---
160 (71.1)	(062)	2405	2887	3366	3849	4327	4810	5292	5771	6733	---	---	---	---	---
130 (54.4)		1400	1680	1959	2240	2519	2800	3080	3359	3919	---	---	---	---	---
110 (43.3)		828	994	1159	1326	1491	1657	1823	1988	2319	---	---	---	---	---
170 (76.7)	28"	2923	3508	4093	4675	5260	5846	6431	7017	8183	---	---	---	---	---
160 (71.1)	(072)	2536	3044	3552	4057	4565	5073	5581	6089	7101	---	---	---	---	---
130 (54.4)		1481	1778	2075	2369	2666	2963	3259	3556	4147	---	---	---	---	---
110 (43.3)		879	1056	1232	1407	1583	1759	1935	2112	2463	---	---	---	---	---
170 (76.7)	36"	3143	3769	4399	5026	5656	6282	6912	7539	8795	---	---	---	---	---
160 (71.1)	(092)	2732	3277	3825	4369	4917	5461	6009	6554	7646	---	---	---	---	---
130 (54.4)		1607	1927	2249	2569	2891	3211	3534	3854	4496	---	---	---	---	---
110 (43.3)		960	1152	1344	1536	1728	1920	2112	2304	2688	---	---	---	---	---

BTU/hr with 65°F (18.3°C) entering air and 1 GPM flow rate



BASIC TYPE 15

code height length type color conn.
 ORDER CODE: BASW. 022 050 15. XXX /5 /00

mean T °F (°C)	H	L 19.5" (050)	23.5" (060)	27.5" (070)	31.5" (080)	35.5" (090)	39.5" (100)	43.5" (110)	47" (120)	55" (140)	63" (160)	71" (180)	78.5" (200)	94.5" (240)	110" (280)
170 (76.7)	8.5"	2408	2889	3370	3851	4332	4813	5294	5774	6736	7702	8664	9626	11549	13477
160 (71.1)	(022)	2097	2516	2935	3354	3773	4192	4611	5029	5867	6709	7546	8384	10059	11738
130 (54.4)		1242	1490	1738	1986	2235	2483	2731	2979	3475	3973	4470	4966	5958	6953
110 (43.3)		748	897	1046	1196	1345	1494	1644	1793	2092	2392	2691	2989	3587	4186
170 (76.7)	12.5"	2818	3382	3947	4507	5071	5636	6200	6765	7889	9018	10143	11272	13526	15779
160 (71.1)	(032)	2456	2948	3441	3929	4421	4913	5405	5897	6878	7862	8843	9827	11791	13756
130 (54.4)		1460	1752	2045	2335	2627	2920	3212	3505	4088	4673	5255	5840	7008	8176
110 (43.3)		881	1058	1235	1410	1587	1763	1940	2117	2469	2822	3174	3527	4233	4938
170 (76.7)	16.5"	3133	3756	4383	5010	5636	6263	6890	7517	8770	10020	11273	12527	15034	17537
160 (71.1)	(042)	2734	3277	3824	4371	4918	5465	6012	6559	7653	8743	9837	10931	13118	15302
130 (54.4)		1630	1954	2281	2607	2933	3259	3585	3911	4564	5214	5866	6519	7823	9126
110 (43.3)		988	1184	1382	1580	1777	1975	2173	2370	2766	3160	3555	3950	4741	5530
170 (76.7)	20.5"	3377	4050	4726	5403	6075	6751	7428	8100	9453	10801	12154	13503	16205	18906
160 (71.1)	(052)	2949	3536	4127	4718	5305	5896	6486	7073	8255	9432	10614	11792	14151	16510
130 (54.4)		1764	2115	2469	2822	3173	3527	3880	4231	4938	5642	6349	7054	8465	9876
110 (43.3)		1072	1285	1500	1715	1928	2143	2358	2571	3001	3429	3859	4287	5145	6003
170 (76.7)	24"	3566	4279	4992	5706	6419	7132	7845	8559	9985	---	---	---	---	---
160 (71.1)	(062)	3117	3740	4363	4987	5610	6234	6857	7481	8727	---	---	---	---	---
130 (54.4)		1871	2245	2619	2993	3367	3742	4116	4490	5238	---	---	---	---	---
110 (43.3)		1141	1369	1597	1825	2053	2282	2510	2738	3194	---	---	---	---	---
170 (76.7)	28"	3720	4462	5207	5949	6695	7436	8182	8924	10411	---	---	---	---	---
160 (71.1)	(072)	3254	3903	4556	5204	5857	6506	7158	7807	9108	---	---	---	---	---
130 (54.4)		1960	2351	2744	3134	3527	3918	4311	4702	5486	---	---	---	---	---
110 (43.3)		1199	1438	1678	1918	2158	2397	2638	2877	3356	---	---	---	---	---
170 (76.7)	36"	3932	4717	5503	6289	7074	7860	8646	9431	11002	---	---	---	---	---
160 (71.1)	(092)	3446	4134	4822	5511	6199	6888	7576	8265	9642	---	---	---	---	---
130 (54.4)		2088	2506	2923	3341	3758	4175	4593	5010	5845	---	---	---	---	---
110 (43.3)		1286	1543	1800	2056	2313	2570	2827	3084	3598	---	---	---	---	---

BTU/hr with 65°F entering air and 1 GPM flow rate

BASIC TYPE 16

code height length type color conn.
 ORDER CODE: BASW. 032 050 16. XXX /5 /00

mean T °F (°C)	H	L 19.5" (050)	23.5" (060)	27.5" (070)	31.5" (080)	35.5" (090)	39.5" (100)	43.5" (110)	47" (120)	55" (140)	63" (160)	71" (180)	78.5" (200)	94.5" (240)	110" (280)
170 (76.7)	12.5"	3183	3820	4457	5093	5730	6367	7003	7640	8914	10187	11461	12734	15281	17828
160 (71.1)	(032)	2749	3299	3849	4399	4949	5499	6049	6599	7699	8799	9898	10998	13198	15398
130 (54.4)		1577	1893	2208	2524	2839	3155	3470	3786	4417	5048	5679	6310	7572	8834
110 (43.3)		920	1105	1289	1473	1657	1841	2025	2210	2578	2946	3315	3683	4420	5156
170 (76.7)	16.5"	3645	4371	5101	5831	6566	7286	8016	8742	10202	11657	13117	14573	17488	20404
160 (71.1)	(042)	3150	3778	4408	5039	5667	6297	6928	7556	8817	10075	11337	12595	15115	17635
130 (54.4)		1812	2173	2536	2899	3260	3623	3985	4346	5072	5796	6522	7246	8695	10145
110 (43.3)		1060	1271	1484	1696	1907	2120	2332	2543	2968	3392	3816	4240	5088	5937
170 (76.7)	20.5"	4025	4826	5632	6438	7240	8046	8852	9653	11265	12873	14485	16092	19312	22531
160 (71.1)	(052)	3481	4174	4871	5569	6262	6959	7656	8349	9743	11134	12528	13918	16703	19487
130 (54.4)		2008	2408	2810	3212	3612	4014	4416	4816	5620	6422	7226	8028	9634	11240
110 (43.3)		1178	1412	1648	1884	2119	2355	2591	2825	3297	3768	4239	4710	5652	6595
170 (76.7)	24"	4344	5213	6082	6951	7820	8689	9558	10427	12165	---	---	---	---	---
160 (71.1)	(062)	3760	4512	5264	6016	6768	7520	8272	9025	10529	---	---	---	---	---
130 (54.4)		2174	2609	3044	3479	3914	4349	4784	5219	6089	---	---	---	---	---
110 (43.3)		1279	1535	1791	2046	2302	2558	2814	3070	3582	---	---	---	---	---
170 (76.7)	28"	4620	5544	6467	7390	8314	9237	10160	11084	12930	---	---	---	---	---
160 (71.1)	(072)	4002	4801	5601	6401	7201	8000	8800	9600	11199	---	---	---	---	---
130 (54.4)		2320	2784	3248	3711	4175	4639	5103	5566	6494	---	---	---	---	---
110 (43.3)		1368	1642	1915	2189	2462	2736	3009	3283	3830	---	---	---	---	---
170 (76.7)	36"	5052	6058	7069	8079	9090	10100	11111	12121	14142	---	---	---	---	---
160 (71.1)	(092)	4382	5254	6131	7007	7884	8760	9637	10513	12266	---	---	---	---	---
130 (54.4)		2554	3063	3574	4085	4596	5107	5618	6129	7150	---	---	---	---	---
110 (43.3)		1514	1815	2118	2421	2724	3027	3330	3633	4239	---	---	---	---	---

BTU/hr with 65°F entering air and 1 GPM flow rate

BASIC TYPE 20

code height length type color conn.
ORDER CODE: BASW. 022 050 20. XXX /5 /00

mean T °F (°C)	L	19.5"	23.5"	27.5"	31.5"	35.5"	39.5"	43.5"	47"	55"	63"	71"	78.5"	94.5"	110"
	H	(050)	(060)	(070)	(080)	(090)	(100)	(110)	(120)	(140)	(160)	(180)	(200)	(240)	(280)
170 (76.7)	8.5"	3359	4031	4703	5375	6047	6719	7391	8063	9406	10750	12094	13438	16126	18813
160 (71.1)	(022)	2934	3521	4108	4695	5282	5869	6456	7043	8217	9391	10565	11738	14086	16434
130 (54.4)		1757	2109	2460	2812	3163	3515	3866	4218	4921	5624	6327	7030	8436	9842
110 (43.3)		1069	1283	1497	1711	1924	2138	2352	2566	2994	3422	3849	4277	5133	5988
170 (76.7)	12.5"	3912	4692	5476	6256	7040	7820	8604	9384	10948	12512	14076	15640	18768	21896
160 (71.1)	(032)	3420	4102	4788	5470	6155	6837	7523	8205	9573	10940	12308	13675	16410	19146
130 (54.4)		2056	2466	2878	3288	3700	4110	4522	4932	5754	6577	7399	8221	9865	11509
110 (43.3)		1255	1506	1757	2008	2260	2510	2762	3012	3514	4016	4518	5020	6025	7029
170 (76.7)	16.5"	4311	5173	6036	6898	7760	8623	9485	10347	12072	13796	15521	17246	20695	24144
160 (71.1)	(042)	3774	4529	5283	6038	6793	7548	8303	9058	10567	12077	13587	15096	18116	21135
130 (54.4)		2278	2734	3189	3645	4101	4556	5012	5468	6379	7290	8202	9113	10936	12758
110 (43.3)		1397	1676	1955	2235	2514	2794	3073	3352	3911	4470	5029	5588	6705	7823
170 (76.7)	20.5"	4613	5532	6456	7379	8299	9222	10146	11065	12912	14755	16602	18445	22135	25825
160 (71.1)	(052)	4042	4848	5657	6467	7272	8082	8891	9697	11315	12930	14549	16164	19397	22631
130 (54.4)		2450	2939	3429	3920	4408	4899	5390	5878	6859	7838	8819	9798	11759	13719
110 (43.3)		1508	1809	2111	2413	2714	3016	3318	3619	4223	4826	5430	6032	7239	8446
170 (76.7)	24"	4840	5803	6771	7739	8707	9675	10643	11611	13547	---	---	---	---	---
160 (71.1)	(062)	4245	5091	5940	6789	7638	8487	9336	10186	11884	---	---	---	---	---
130 (54.4)		2583	3098	3614	4131	4648	5164	5681	6198	7231	---	---	---	---	---
110 (43.3)		1596	1914	2233	2552	2872	3191	3510	3830	4468	---	---	---	---	---
170 (76.7)	28"	5002	6002	7001	8005	9005	10005	11004	12004	14008	---	---	---	---	---
160 (71.1)	(072)	4393	5271	6148	7030	7908	8786	9664	10542	12301	---	---	---	---	---
130 (54.4)		2684	3220	3757	4295	4832	5368	5905	6441	7516	---	---	---	---	---
110 (43.3)		1665	1998	2331	2665	2998	3331	3663	3996	4663	---	---	---	---	---
170 (76.7)	36"	5206	6248	7290	8328	9370	10412	11455	12497	14577	---	---	---	---	---
160 (71.1)	(092)	4581	5498	6415	7329	8246	9163	10080	10997	12828	---	---	---	---	---
130 (54.4)		2822	3386	3951	4514	5079	5644	6209	6773	7901	---	---	---	---	---
110 (43.3)		1764	2117	2470	2822	3175	3529	3882	4235	4940	---	---	---	---	---

BTU/hr with 65°F (18.3°C) entering air and 1 GPM flow rate

BASIC TYPE 21

code height length type color conn.
ORDER CODE: BASW. 032 050 21. XXX /5 /00

mean T °F (°C)	L	19.5"	23.5"	27.5"	31.5"	35.5"	39.5"	43.5"	47"	55"	63"	71"	78.5"	94.5"	110"
	H	(050)	(060)	(070)	(080)	(090)	(100)	(110)	(120)	(140)	(160)	(180)	(200)	(240)	(280)
170 (76.7)	12.5"	4340	5210	6076	6946	7811	8681	9551	10417	12152	13892	15628	17363	20834	24309
160 (71.1)	(032)	3742	4492	5238	5988	6735	7485	8234	8981	10477	11977	13473	14970	17962	20958
130 (54.4)		2132	2559	2985	3412	3837	4265	4692	5117	5970	6825	7677	8530	10235	11943
110 (43.3)		1236	1484	1731	1978	2225	2473	2721	2967	3462	3957	4452	4946	5935	6925
170 (76.7)	16.5"	4969	5962	6955	7949	8942	9935	10928	11921	13907	15898	17884	19870	23842	27819
160 (71.1)	(042)	4287	5144	6001	6858	7714	8571	9428	10285	11998	13716	15429	17143	20570	24001
130 (54.4)		2449	2939	3428	3918	4407	4897	5386	5876	6855	7836	8815	9794	11753	13713
110 (43.3)		1424	1708	1993	2277	2562	2847	3131	3416	3985	4555	5125	5694	6832	7972
170 (76.7)	20.5"	5491	6590	7689	8784	9883	10982	12081	13180	15374	17572	19766	21964	26356	30748
160 (71.1)	(052)	4740	5689	6638	7583	8531	9480	10429	11378	13272	15169	17063	18961	22753	26544
130 (54.4)		2714	3257	3801	4342	4885	5429	5972	6515	7600	8687	9771	10858	13029	15200
110 (43.3)		1581	1898	2214	2530	2846	3163	3479	3796	4428	5061	5693	6326	7591	8856
170 (76.7)	24"	5933	7121	8309	9492	10679	11867	13055	14242	16613	---	---	---	---	---
160 (71.1)	(062)	5126	6152	7177	8200	9226	10252	11278	12304	14352	---	---	---	---	---
130 (54.4)		2943	3532	4121	4708	5297	5886	6475	7064	8240	---	---	---	---	---
110 (43.3)		1719	2063	2407	2750	3094	3438	3782	4126	4813	---	---	---	---	---
170 (76.7)	28"	6311	7574	8837	10096	11359	12622	13886	15149	17671	---	---	---	---	---
160 (71.1)	(072)	5456	6548	7640	8728	9820	10912	12004	13096	15276	---	---	---	---	---
130 (54.4)		3141	3769	4398	5024	5653	6282	6910	7539	8794	---	---	---	---	---
110 (43.3)		1839	2207	2575	2942	3311	3679	4047	4415	5150	---	---	---	---	---
170 (76.7)	36"	6911	8294	9674	11058	12438	13822	15205	16585	19349	---	---	---	---	---
160 (71.1)	(092)	5982	7180	8375	9573	10767	11965	13163	14358	16750	---	---	---	---	---
130 (54.4)		3462	4156	4847	5540	6232	6925	7618	8310	9694	---	---	---	---	---
110 (43.3)		2038	2446	2853	3261	3668	4076	4484	4891	5707	---	---	---	---	---

BTU/hr with 65°F (18.3°C) entering air and 1 GPM flow rate

