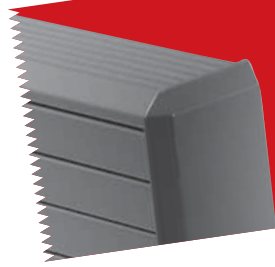




jaga



MAXI

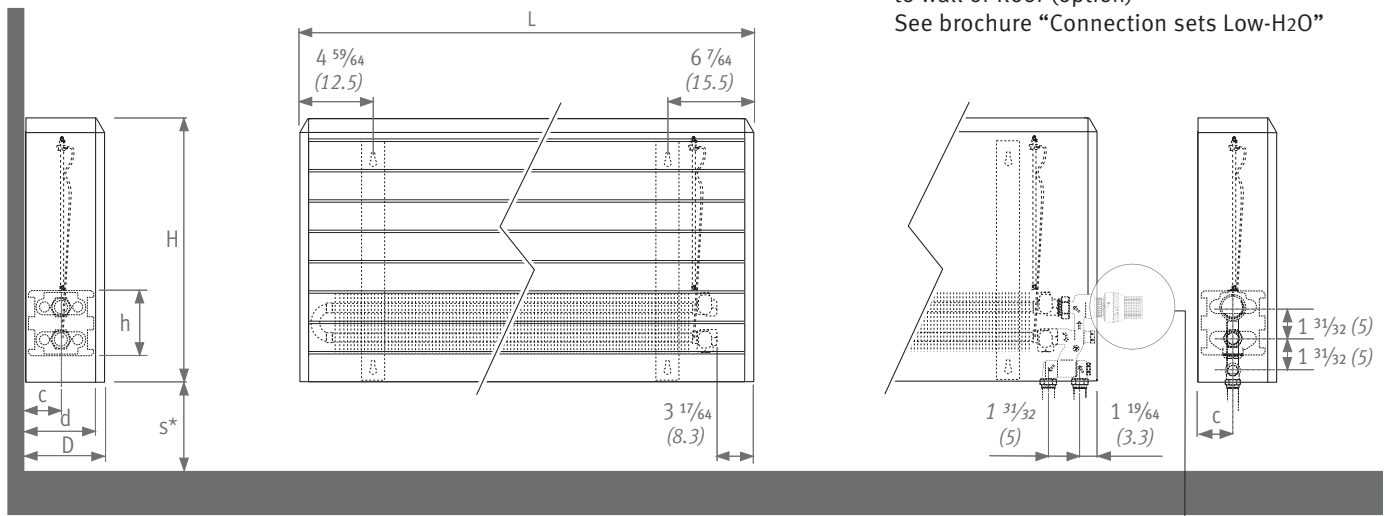
Dimensions & heat output

ALDI MEMBER EN 442

LOW H₂O

GUARANTEE 30 YEAR FIN TUBE ELEMENT

DIMENSIONS

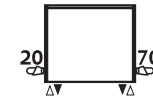


UNIVERSAL CONNECTION SET
to wall or floor (option)
See brochure "Connection sets Low-H₂O"

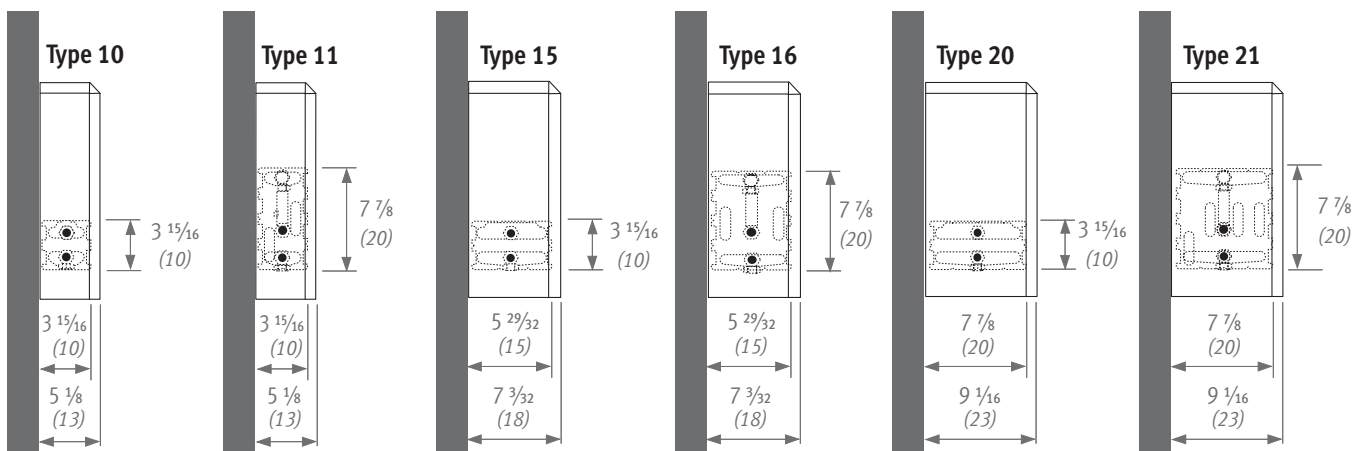
* Smaller dimensions can decrease output.

Type	d	h	D	c	s
10	3 15/16 (10)	3 15/16 (10)	5 1/8 (13)	2 3/32 (5.3)	3 15/16 (10)
15	5 29/32 (15)	3 15/16 (10)	7 3/32 (18)	3 5/64 (7.8)	4 23/32 (12)
20	7 7/8 (20)	3 15/16 (10)	9 1/16 (23)	4 1/16 (10.3)	5 29/32 (15)

Type	d	h	D	c	s
11	3 15/16 (10)	7 7/8 (20)	5 1/8 (13)	2 3/32 (5.3)	3 15/16 (10)
16	5 29/32 (15)	7 7/8 (20)	7 3/32 (18)	3 5/64 (7.8)	4 23/32 (12)
21	7 7/8 (20)	7 7/8 (20)	9 1/16 (23)	4 1/16 (10.3)	5 29/32 (15)



CONNECTION
Standard closed side panels /00.
Apply order code /20 or /70 for open side panel for thermostat.



Note: dimensions in "()" are shown in centimeters.

The information in this technical brochure is correct at the time of printing. Jaga reserves the right to change product specification at any time in line with our policy of continuous improvement and innovation.



The dimensions shown in the tables have been rounded off to 0.5".
 Dimensions in cm are exact. (1 cm = 0.394")

MAXI WT TYPE 10

mean T °F (°C)	H	L 25" (063)	32.5" (083)	40.5" (103)	48.5" (123)	56.5" (143)	64" (163)	72" (183)	80" (203)
170 (76.7)	17.5"	2691	3549	4402	5256	6114	6967	7821	8679
160 (71.1)	(044)	2341	3088	3830	4573	5319	6062	6804	7551
130 (54.4)		1381	1821	2259	2697	3137	3575	4013	4454
110 (43.3)		828	1092	1354	1617	1881	2144	2406	2670
170 (76.7)	23"	3086	4068	5047	6025	7007	7985	8968	9946
160 (71.1)	(059)	2689	3544	4397	5249	6105	6957	7813	8665
130 (54.4)		1594	2102	2607	3112	3620	4125	4633	5138
110 (43.3)		961	1266	1571	1876	2182	2486	2792	3097
170 (76.7)	29"	3386	4459	5536	6613	7686	8763	9836	10913
160 (71.1)	(074)	2954	3891	4830	5770	6706	7646	8582	9522
130 (54.4)		1761	2319	2879	3440	3998	4558	5116	5676
110 (43.3)		1067	1405	1744	2084	2422	2761	3099	3438

BTU/hr with 65°F (18.3°C) entering air and 1 GPM flow rate

MAXI WT TYPE 11

mean T °F (°C)	H	L 25" (063)	32.5" (083)	40.5" (103)	48.5" (123)	56.5" (143)	64" (163)	72" (183)	80" (203)
170 (76.7)	17.5"	3524	4644	5763	6883	8002	9122	10242	11361
160 (71.1)	(044)	3051	4021	4990	5960	6929	7898	8868	9837
130 (54.4)		1767	2329	2890	3452	4013	4575	5136	5698
110 (43.3)		1041	1372	1702	2033	2364	2695	3025	3356
170 (76.7)	23"	3978	5238	6502	7766	9026	10289	11553	12813
160 (71.1)	(059)	3445	4536	5631	6726	7816	8911	10006	11097
130 (54.4)		1997	2629	3264	3898	4531	5165	5800	6432
110 (43.3)		1177	1550	1924	2298	2671	3045	3419	3792
170 (76.7)	29"	4361	5744	7126	8509	9892	11279	12662	14045
160 (71.1)	(074)	3777	4975	6172	7370	8568	9769	10967	12165
130 (54.4)		2190	2884	3579	4274	4968	5665	6359	7054
110 (43.3)		1291	1701	2111	2520	2930	3341	3750	4160

BTU/hr with 65°F (18.3°C) entering air and 1 GPM flow rate

MAXI WT TYPE 15

mean T °F (°C)	H	L 25" (063)	32.5" (083)	40.5" (103)	48.5" (123)	56.5" (143)	64" (163)	72" (183)	80" (203)
170 (76.7)	17.5"	4361	5745	7128	8512	9896	11279	12667	14051
160 (71.1)	(044)	3799	5004	6209	7414	8619	9824	11033	12238
130 (54.4)		2250	2964	3677	4391	5105	5819	6535	7249
110 (43.3)		1354	1784	2214	2643	3073	3503	3934	4364
170 (76.7)	23"	4917	6482	8043	9603	11168	12729	14289	15850
160 (71.1)	(059)	4290	5656	7018	8379	9745	11107	12468	13830
130 (54.4)		2559	3373	4185	4997	5812	6624	7436	8248
110 (43.3)		1550	2044	2536	3028	3522	4014	4506	4998
170 (76.7)	29"	5311	6998	8684	10371	12058	13744	15431	17118
160 (71.1)	(074)	4642	6116	7591	9065	10539	12013	13488	14962
130 (54.4)		2786	3671	4556	5441	6326	7211	8096	8981
110 (43.3)		1699	2239	2778	3318	3857	4397	4937	5476

BTU/hr with 65°F (18.3°C) entering air and 1 GPM flow rate

MAXI WT TYPE 16

mean T °F (°C)	H	L 25" (063)	32.5" (083)	40.5" (103)	48.5" (123)	56.5" (143)	64" (163)	72" (183)	80" (203)
170 (76.7)	17.5"	4788	6309	7830	9351	10872	12393	13913	15434
160 (71.1)	(044)	4137	5450	6764	8078	9392	10706	12019	13333
130 (54.4)		2375	3129	3884	4638	5392	6147	6901	7655
110 (43.3)		1387	1828	2268	2709	3150	3590	4031	4472
170 (76.7)	23"	5558	7324	9090	10856	12622	14384	16150	17916
160 (71.1)	(059)	4799	6323	7848	9373	10897	12418	13943	15468
130 (54.4)		2749	3622	4496	5369	6243	7114	7987	8861
110 (43.3)		1602	2111	2620	3129	3638	4146	4655	5164
170 (76.7)	29"	6274	8268	10258	12249	14243	16233	18228	20218
160 (71.1)	(074)	5413	7134	8851	10569	12289	14007	15727	17445
130 (54.4)		3094	4077	5059	6040	7024	8006	8989	9971
110 (43.3)		1799	2371	2942	3513	4085	4656	5228	5798

BTU/hr with 65°F (18.3°C) entering air and 1 GPM flow rate

MAXI WT TYPE 20

mean T °F (°C)	H	L 25" (063)	32.5" (083)	40.5" (103)	48.5" (123)	56.5" (143)	64" (163)	72" (183)	80" (203)
170 (76.7)	17.5"	6099	8035	9972	11908	13844	15780	17717	19653
160 (71.1)	(044)	5312	6999	8685	10372	12058	13745	15431	17117
130 (54.4)		3146	4145	5144	6143	7142	8141	9140	10139
110 (43.3)		1894	2495	3097	3698	4300	4901	5502	6104
170 (76.7)	23"	6869	9052	11231	13410	15594	17773	19956	22135
160 (71.1)	(059)	5994	7899	9800	11701	13606	15508	17413	19314
130 (54.4)		3574	4710	5844	6978	8114	9248	10385	11519
110 (43.3)		2166	2854	3542	4229	4917	5605	6293	6980
170 (76.7)	29"	7409	9763	12116	14470	16824	19174	21527	23881
160 (71.1)	(074)	6476	8533	10590	12648	14705	16759	18816	20873
130 (54.4)		3887	5122	6357	7592	8826	10059	11294	12529
110 (43.3)		2370	3123	3876	4629	5382	6134	6887	7640

BTU/hr with 65°F (18.3°C) entering air and 1 GPM flow rate

MAXI WT TYPE 21

mean T °F (°C)	H	L 25" (063)	32.5" (083)	40.5" (103)	48.5" (123)	56.5" (143)	64" (163)	72" (183)	80" (203)
170 (76.7)	17.5"	6468	8524	10576	12628	14685	16737	18793	20845
160 (71.1)	(044)	5578	7351	9120	10890	12663	14432	16205	17975
130 (54.4)		3181	4192	5201	6210	7221	8230	9241	10250
110 (43.3)		1845	2432	3018	3603	4190	4776	5362	5948
170 (76.7)	23"	7708	10154	12600	15047	17493	19939	22386	24832
160 (71.1)	(059)	6638	8745	10852	12959	15066	17173	19280	21387
130 (54.4)		3768	4964	6160	7357	8553	9749	10945	12141
110 (43.3)		2177	2868	3559	4250	4941	5632	6323	7014
170 (76.7)	29"	8923	11753	14586	17420	20250	23084	25918	28748
160 (71.1)	(074)	7675	10109	12547	14984	17418	19856	22294	24728
130 (54.4)		4335	5710	7087	8464	9839	11216	12593	13968
110 (43.3)		2493	3283	4075	4867	5657	6449	7241	8031

BTU/hr with 65°F (18.3°C) entering air and 1 GPM flow rate

