



NEW

jaga



PLAY
Playful warmth,
colourful comfort



HENRY VAN DE VELDE
LABEL 2009



PLAY

PLAYFUL WARMTH, COLOURFUL COMFORT

Never have you seen so much colour in a single radiator. The Play4Girls or Play4Boys colour combinations create a cheerful mood everywhere. But even in clean white or stylish black, Play remains a heart-warming radiator with a strong character.

Play it Safe

With such vibrant colours, Play is a natural choice for children's bedrooms and for school classrooms everywhere, so we have paid extra attention to safety. The painted MDF casing will never become too warm, and the soft rounded corners make the Play much safer than a steel radiator too. All the heated parts are beautifully hidden from little fingers. Just look at the cleverly integrated and lockable thermostatic control.



PLAY IT SUSTAINABLE



The heart of the Play is the hi-tech Low-H₂O heat exchanger.

This heats much more quickly, more evenly and much more precisely which means that the Play is much more economical and efficient than a normal radiator and it provides more comfort. Play combines its playful look with energy efficient technology.

Same size, 3 times the heating output

Heat pumps, solar energy systems and weather compensated condensing boilers are most efficient at relatively low water temperatures, often as low as 35°C, which means that much bigger radiators are normally required. No problem for Low-H₂O radiators, such as the Play, because when combined with Jaga's innovative DBE technology, the same radiator emits 2 to 3 times the heating output, with no increase in size. The new top of the range DBE Pro version is also able to deliver free, passive cooling in conjunction with heat pumps. DBE technology gives you the opportunity to make the best use of the full range of new, environmentally-friendly systems.

Prepare yourself for the future!

DBE
Dynamic Boost Effect



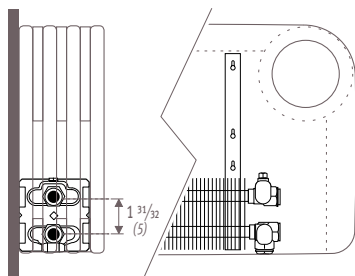


PLAY

You can also use Play to add a dash of colour to a wide range of public buildings such as hospitals, schools, nurseries, offices and hotels. Only Play can give safety, heating comfort and undeniable visual appeal wherever people congregate.



STANDARD DELIVERY:



- heat exchanger with premounted brackets
- cover consists of painted MDF panels with aluminium spacer rings
- pencil-proof grille
- packed in cardboard box of which the lid can be used as interim protection for the casing

OUTPUTS

ORDERING CODE: *code* PLAW. *height* 035 *length* 060 *type* 10. *colour* XXX *connection* /L
fill in colour code Left or Right

TYPE 10

mean T °F (°C)	H	L			
		23.5" (060)	31.5" (080)	39.5" (100)	47" (120)
170 (76.7)	14"	2231	2973	3715	4458
160 (71.1)	(035)	1943	2590	3236	3883
130 (54.4)		1151	1534	1917	2301
110 (43.3)		693	924	1155	1385
170 (76.7)	19.5"	2499	3332	4165	4998
160 (71.1)	(050)	2173	2897	3622	4346
130 (54.4)		1279	1706	2132	2559
110 (43.3)		765	1021	1276	1531
170 (76.7)	25.5"	2768	3688	4612	5537
160 (71.1)	(065)	2403	3202	4004	4807
130 (54.4)		1405	1873	2342	2811
110 (43.3)		836	1114	1393	1672

TYPE 15

mean T °F (°C)	H	L			
		23.5" (060)	31.5" (080)	39.5" (100)	47" (120)
170 (76.7)	14"	3390	4523	5652	6781
160 (71.1)	(035)	2956	3943	4928	5912
130 (54.4)		1757	2344	2930	3515
110 (43.3)		1062	1416	1770	2124
170 (76.7)	19.5"	3904	5208	6508	7808
160 (71.1)	(050)	3399	4534	5666	6798
130 (54.4)		2010	2682	3351	4020
110 (43.3)		1208	1612	2014	2417
170 (76.7)	25.5"	4399	5862	7330	8798
160 (71.1)	(065)	3824	5097	6373	7649
130 (54.4)		2250	2998	3749	4500
110 (43.3)		1345	1793	2242	2691

TYPE 20

mean T °F (°C)	H	L			
		23.5" (060)	31.5" (080)	39.5" (100)	47" (120)
170 (76.7)	14"	4642	6190	7737	9285
160 (71.1)	(035)	4051	5402	6753	8103
130 (54.4)		2418	3224	4030	4836
110 (43.3)		1466	1955	2444	2933
170 (76.7)	19.5"	5409	7212	9016	10819
160 (71.1)	(050)	4715	6287	7859	9431
130 (54.4)		2801	3735	4669	5603
110 (43.3)		1691	2255	2819	3383
170 (76.7)	25.5"	6137	8180	10227	12274
160 (71.1)	(065)	5343	7122	8904	10686
130 (54.4)		3160	4212	5266	6320
110 (43.3)		1899	2532	3165	3799

TWIN_TYPE 11

mean T °F (°C)	H	L			
		23.5" (060)	31.5" (080)	39.5" (100)	47" (120)
170 (76.7)	14"	2482	3308	4134	4960
160 (71.1)	(035)	2149	2864	3579	4294
130 (54.4)		1243	1657	2071	2485
110 (43.3)		732	975	1219	1463
170 (76.7)	19.5"	2920	3892	4864	5836
160 (71.1)	(050)	2526	3367	4207	5048
130 (54.4)		1457	1942	2428	2913
110 (43.3)		855	1140	1425	1709
170 (76.7)	25.5"	3321	4427	5533	6638
160 (71.1)	(065)	2870	3826	4781	5737
130 (54.4)		1650	2200	2749	3299
110 (43.3)		965	1287	1608	1930

TWIN_TYPE 16

mean T °F (°C)	H	L			
		23.5" (060)	31.5" (080)	39.5" (100)	47" (120)
170 (76.7)	14"	3714	4953	6191	7429
160 (71.1)	(035)	3210	4280	5350	6420
130 (54.4)		1845	2460	3075	3690
110 (43.3)		1079	1438	1798	2158
170 (76.7)	19.5"	4441	5919	7401	8883
160 (71.1)	(050)	3837	5114	6394	7675
130 (54.4)		2205	2938	3674	4410
110 (43.3)		1289	1717	2148	2578
170 (76.7)	25.5"	5070	6758	8450	10141
160 (71.1)	(065)	4380	5838	7299	8761
130 (54.4)		2515	3352	4191	5030
110 (43.3)		1469	1958	2448	2938

TWIN_TYPE 21

mean T °F (°C)	H	L			
		23.5" (060)	31.5" (080)	39.5" (100)	47" (120)
170 (76.7)	14"	5210	6944	8682	10420
160 (71.1)	(035)	4494	5990	7489	8989
130 (54.4)		2567	3421	4277	5134
110 (43.3)		1491	1988	2486	2983
170 (76.7)	19.5"	6250	8333	10416	12500
160 (71.1)	(050)	5394	7192	8990	10788
130 (54.4)		3086	4115	5144	6173
110 (43.3)		1797	2396	2995	3594
170 (76.7)	25.5"	7108	9481	11849	14217
160 (71.1)	(065)	6138	8187	10232	12277
130 (54.4)		3519	4693	5866	7038
110 (43.3)		2052	2737	3421	4105

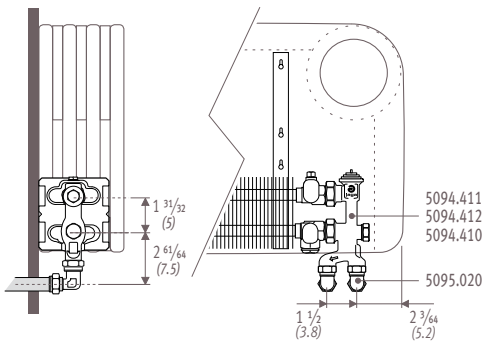
BTU/hr with 65°F (18.3°C) entering air and 1 GPM flow rate.



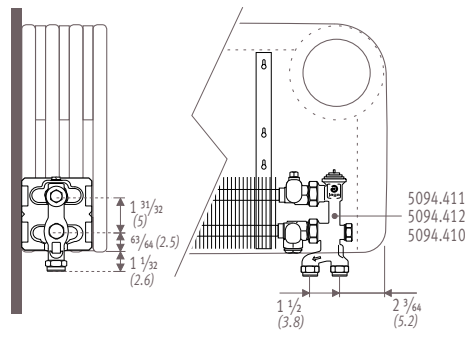
CONNECTION

WITH VERTICAL PRO THERMOSTATIC VALVE

To the wall



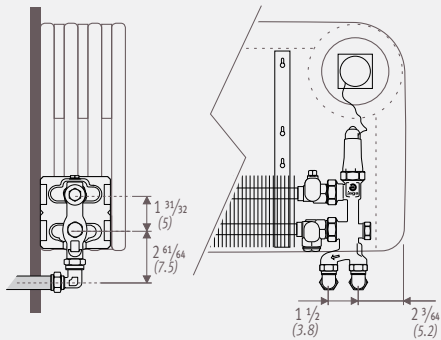
To the floor



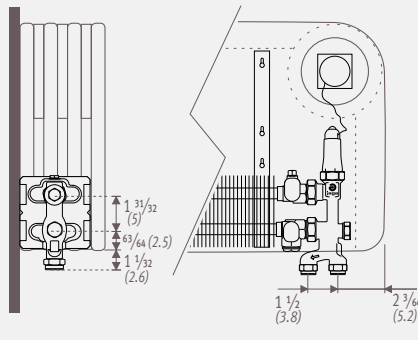
- For connection to the wall or floor
- Thermostat valve without capillary also supplied
- Only to be used with an electrically controlled zone valve, a manual head or thermostatic head with external sensor.
- **Don't use with standard thermostatic head**

WITH VERTICAL PRO INTEGRATED THERMOSTATIC VALVE WITH CONTROL

To the wall



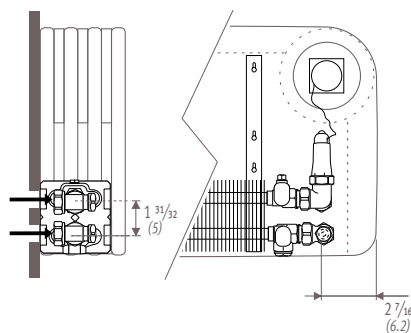
To the floor



- For connection to the wall or floor
- Thermostat valve with capillary also supplied
- Controls integrated in the front panel

WITH VERTICAL DOUBLE ANGLED THERMOSTATIC VALVE WITH INTEGRATED CONTROL

To the wall



- **Connection to the wall is totally concealed within the casing**
- Thermostat valve with capillary also supplied
- Controls integrated in the front panel

SLEEVE COUPLINGS

FOR VERTICAL PRO JAGA AND VERTICAL DOUBLE ANGLED

For flexible steel or copper tube

CODE	Description
5094.110	∅ M24 x 10/1
5094.112	∅ M24 x 12/1
5094.114	∅ M24 x 14/1
5094.115	∅ M24 x 15/1
5094.116	∅ M24 x 16/1
5094.118	∅ M24 x 18/1

For RPE/ALU tube

CODE	Description
5094.314	∅ M24 x 14/2
5094.316	∅ M24 x 16/2
5094.326	∅ M24 x 16/2.2
5094.318	∅ M24 x 18/2

RPE tube = reticulated polyethylene tube with an intermediate aluminium layer

For synthetic tube

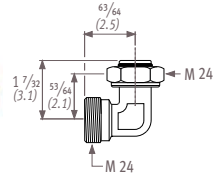
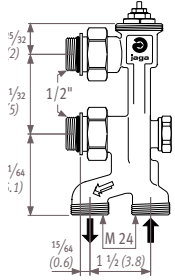
CODE	Description
5094.212	∅ M24 x 12/2
5094.214	∅ M24 x 14/2
5094.219	∅ M24 x 16/1.5
5094.216	∅ M24 x 16/2
5094.217	∅ M24 x 17/2
5094.218	∅ M24 x 18/2

Steel tube for C.H.

CODE	Description
5094.501	∅ M24 x 1/2"
5094.503	∅ M24 x 3/8"

CONNECTION ACCESSORIES

VERTICAL PRO THERMOSTATIC VALVE CURVE 90° M24 X M24



CODE
5095.020



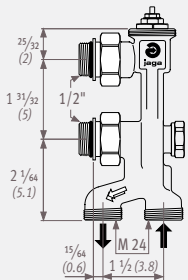
CODE	
5094.411	2-Pipe, standard Kv
5094.412	2-Pipe, reduced Kv
5094.410	1-Pipe, standard Kv

OPTION BASE GRILLE



ORDERING CODE			
code	length	type	model
5641.000	060	10.	/PLA

Closes the bottom of the casing.
Colour black (RAL 9005)

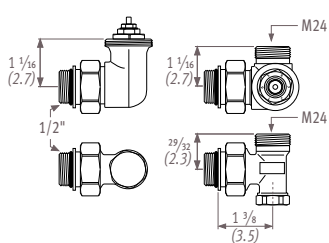


Exemple code:
PLAW. 020 140 10. BLA/FR/TPB

- Connection:
- FL Floor Left
 - FR Floor Right
 - WL Wall Left
(curve 90° M24x M24 included)
 - WR Wall Right
(curve 90° M24x M24 included)

Controls are always top right

CODE	
/TPB	2-Pipe, standard Kv
/TPS	2-Pipe, reduced Kv
/TPO	1-Pipe, standard Kv



Exemple code:
PLAW. 020 140 10. BLA/WR/TIB

- Connection:
- WL wall left
 - WR wall right

controls are always top right

CODE	
/TIB	





Jaga Canada - J204 - 155 Frobisher Dr. Waterloo Ontario N2V 2E1
P +1 519 505 7780 - Efax +1 800 418 9751 - bkriekels@jaga-canada.com - www.jaga-canada.com

Jaga USA - 99 Pine Street - 12207 New York
M: +1 516 508 6760 - rmoors@jaga-usa.com - www.jaga-usa.com



WWW.
THE RADIATOR FACTORY
.COM
WWW.JAGAEXPERIENCELAB.COM