

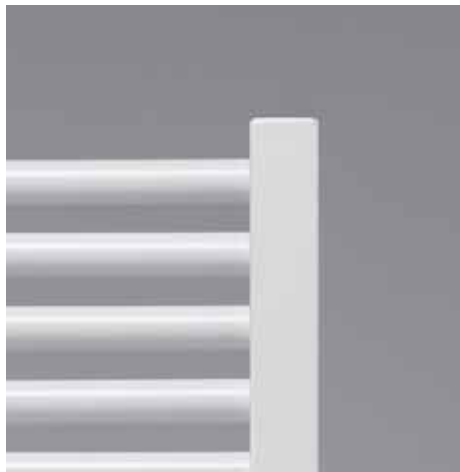


Eyecatchers
* From design to art *

jaga

SANI RONDA
The classic towel rail

www.
THE RADIATORFACTORY
.COM



SANI RONDA, THE CLASSIC TOWEL RAIL

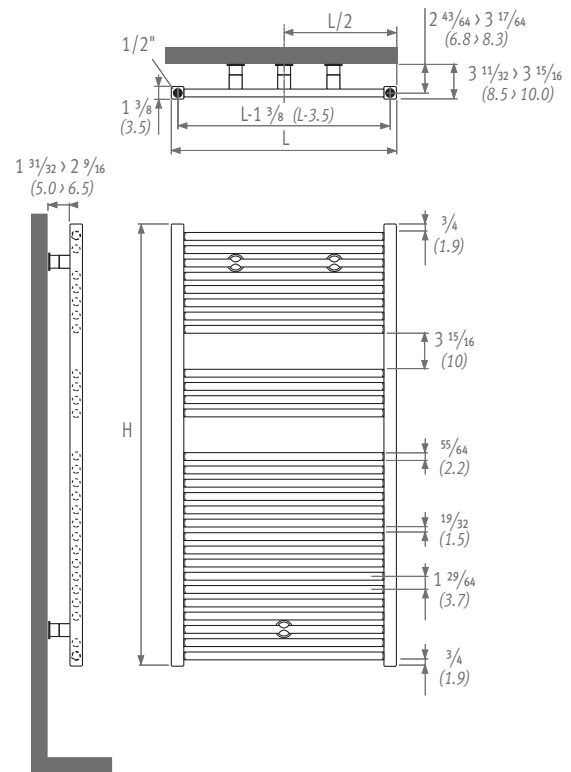
After a relaxing bath or shower, you will experience the pleasure of a nice warm and dry towel. This radiator is not only functional but also aesthetically indispensable for your bathroom interior.

OUTPUT

		ORDER CODE: SROW. 063 040 XXX /18					
		code	height	length	color	conn.	
mean T	L	15.5"	19.5"	23.5"	27.5"	31.5"	39.5"
°F (°C)	H	(040)	(050)	(060)	(070)	(080)	(100)
170 (76.7)	25"	1109	1334	1560	1781	2007	2454
160 (71.1)	(063)	978	1175	1373	1567	1765	2157
130 (54.4)	607	727	847	964	1084	1322	
110 (43.3)	382	456	530	602	676	822	
170 (76.7)	36.5"	1688	2051	2414	2778	3141	3867
160 (71.1)	(093)	1486	1805	2123	2442	2760	3397
130 (54.4)	917	1111	1304	1497	1691	2078	
110 (43.3)	574	694	813	932	1052	1291	
170 (76.7)	48"	2270	2766	3263	3760	4261	5254
160 (71.1)	(122)	1996	2431	2867	3302	3742	4613
130 (54.4)	1224	1489	1754	2019	2286	2815	
110 (43.3)	762	926	1090	1254	1418	1745	
170 (76.7)	54"	2568	3131	3695	4258	4822	5948
160 (71.1)	(137)	2256	2750	3244	3738	4233	5221
130 (54.4)	1380	1681	1981	2282	2582	3184	
110 (43.3)	857	1043	1229	1415	1600	1972	
170 (76.7)	69"	3196	3884	4577	5265	5958	7338
160 (71.1)	(175)	2803	3407	4015	4619	5226	6437
130 (54.4)	1705	2073	2443	2810	3180	3918	
110 (43.3)	1053	1281	1509	1736	1965	2422	
170 (76.7)	80.5"	3860	4673	5491	6303	7121	8750
160 (71.1)	(205)	3381	4094	4811	5525	6242	7673
130 (54.4)	2045	2480	2917	3352	3788	4662	
110 (43.3)	1256	1525	1795	2065	2335	2876	

BTU/hr with 65°F (18.3°C) entering air and 1 GPM flow rate.

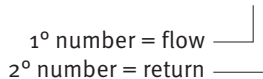
DIMENSIONS



Note: dimensions in "()" are shown in centimeters.

CONNECTION POSSIBILITIES

ORDER CODE: SROW. 063 040 XXX /18

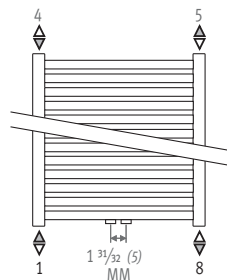


Standard connection

Code 18
Connection 18 or 81.

Top end connection

Code 45 or code 54
Insert pipe is to be mounted in the return. It is delivered without surcharge if you specify the ordering code with code 45 or 54 instead of 18, make sure there is an air vent on the central heating pipework.



Central connection:
Specify code MM instead of 18.
Flow left or right.
Extra charge

RANGE

