

Mounting instructions

Note: dimensions in "()" are shown in centimetres.



L	19 11/16 (50)		25 19/32 (65)		31 1/2 (80)		37 13/32 (95)	
	A*	B*	A*	B*	A*	B*	A*	B*
35 5/64 (89.1)	18 7/64 (46.0)	26 3/8 (67.0)	24 1/64 (61.0)	26 3/8 (67.0)	29 59/64 (76.0)	26 3/8 (67.0)	35 53/64 (91.0)	26 3/8 (67.0)
48 5/16 (122.7)	18 7/64 (46.0)	39 49/64 (101.0)	24 1/64 (61.0)	39 49/64 (101.0)	29 59/64 (76.0)	39 49/64 (101.0)	35 53/64 (91.0)	39 49/64 (101.0)
60 7/16 (153.5)	18 7/64 (46.0)	51 49/64 (131.5)	24 1/64 (61.0)	51 49/64 (131.5)	29 59/64 (76.0)	51 49/64 (131.5)	35 53/64 (91.0)	51 49/64 (131.5)
71 29/64 (181.5)	18 7/64 (46.0)	53 15/16 (137.0)	24 1/64 (61.0)	53 15/16 (137.0)	29 59/64 (76.0)	53 15/16 (137.0)	35 53/64 (91.0)	53 15/16 (137.0)
84 11/16 (215.1)	18 7/64 (46.0)	53 15/16 (137.0)	24 1/64 (61.0)	53 15/16 (137.0)	29 59/64 (76.0)	53 15/16 (137.0)	35 53/64 (91.0)	53 15/16 (137.0)

Note: dimensions in "()" are shown in centimeters.

* Dimensional tolerance: $\pm 1/8$ (0.3 cm)

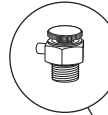
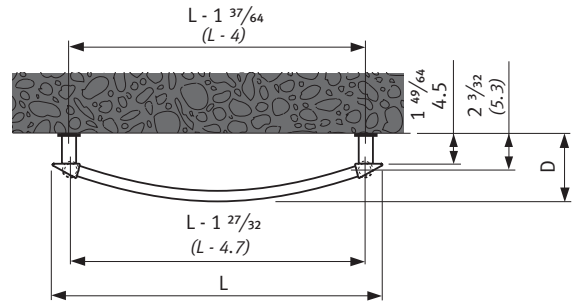
Important!

Always use PTFE tape or flax for all water and electric connections.

L	D
19 11/16 (50.0)	4 1/16 (10.3)
25 19/32 (65.0)	4 11/64 (10.6)
31 1/2 (80.0)	4 7/32 (10.7)
37 13/32 (95.0)	4 21/64 (11.0)



For safety reasons wall plugs aren't delivered. Contact your specialist store for the right type.



Air vent 1/8"

