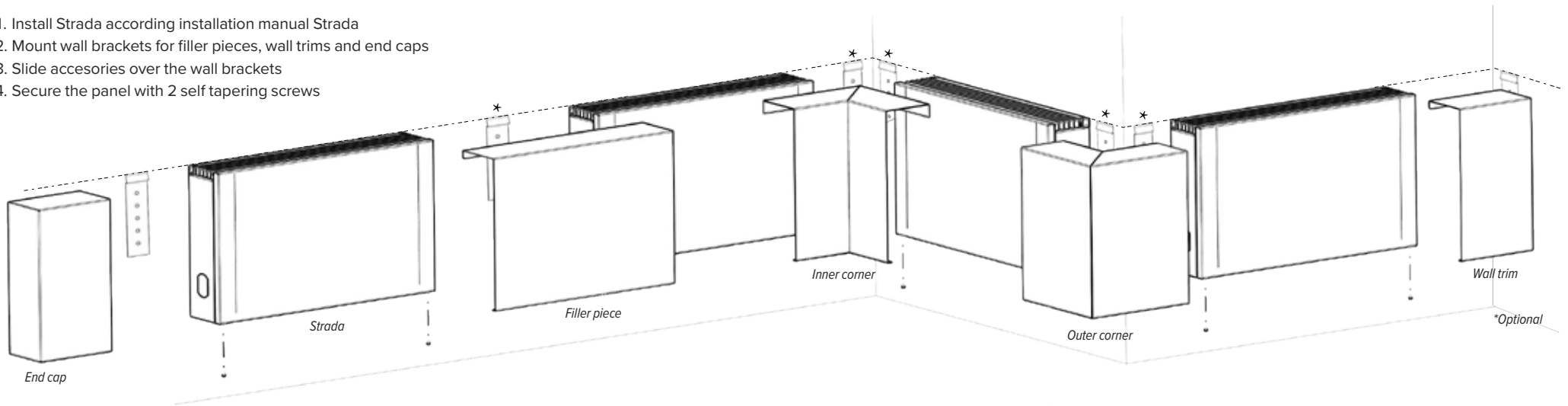


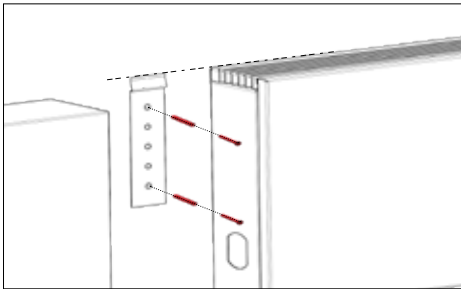
STRADA WALL TO WALL SOLUTIONS

INSTALLATION MANUAL

1. Install Strada according installation manual Strada
2. Mount wall brackets for filler pieces, wall trims and end caps
3. Slide accessories over the wall brackets
4. Secure the panel with 2 self tapering screws

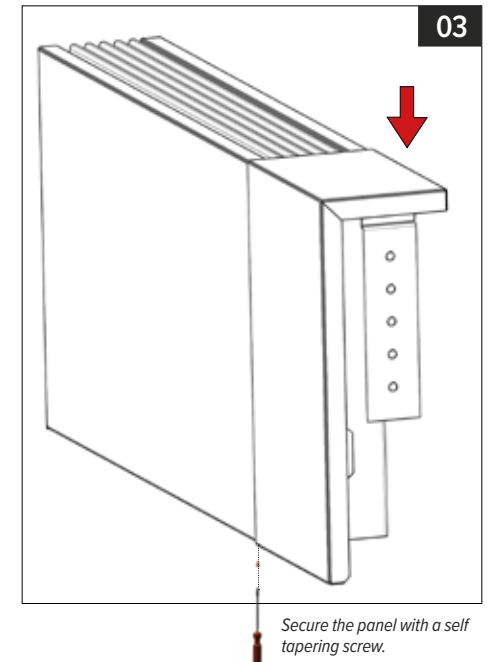
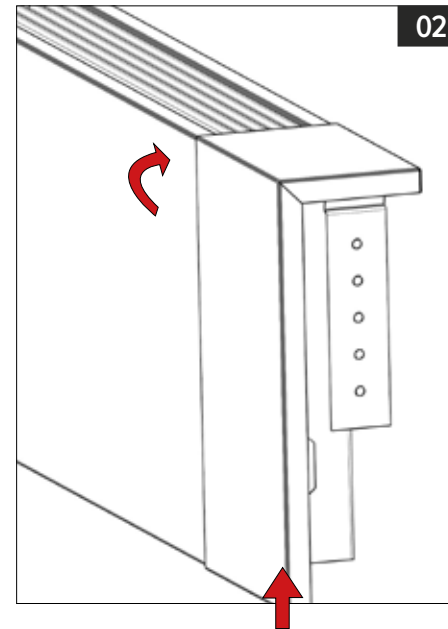
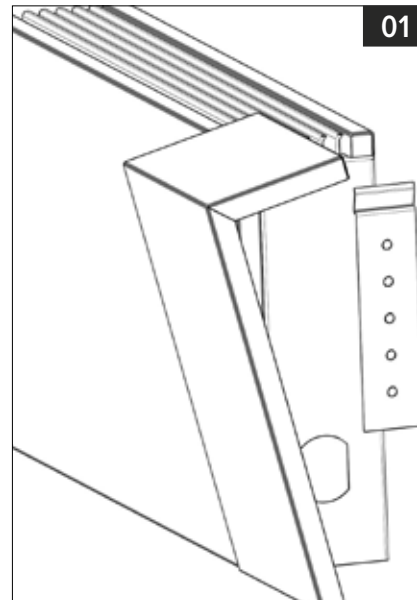


MOUNTING OF WALL BRACKET



- The top of the wall bracket must be in line with the Strada grill
- Indicate the position of screw holes on the wall and drill
- Use wall plugs/screws for the specific wall type
- For drywall, ensure that a stud is located behind every bracket
- Minimal overlap for accessories 2" per side

INSTALL FILLER PIECES / END CAPS / WALL TRIMS



Secure the panel with a self tapering screw.