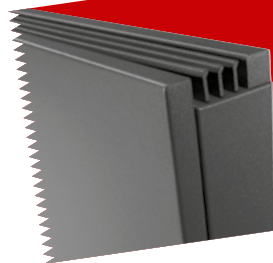




jaga



STRADA

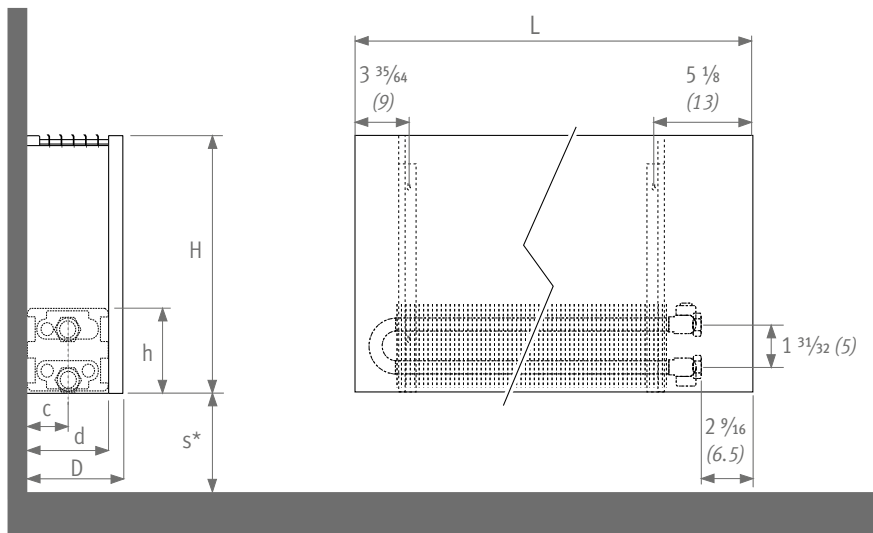
Dimensions & heat output

EN 442

LOW H₂O

30 YEAR GUARANTEE FIN FINE ELEMENT

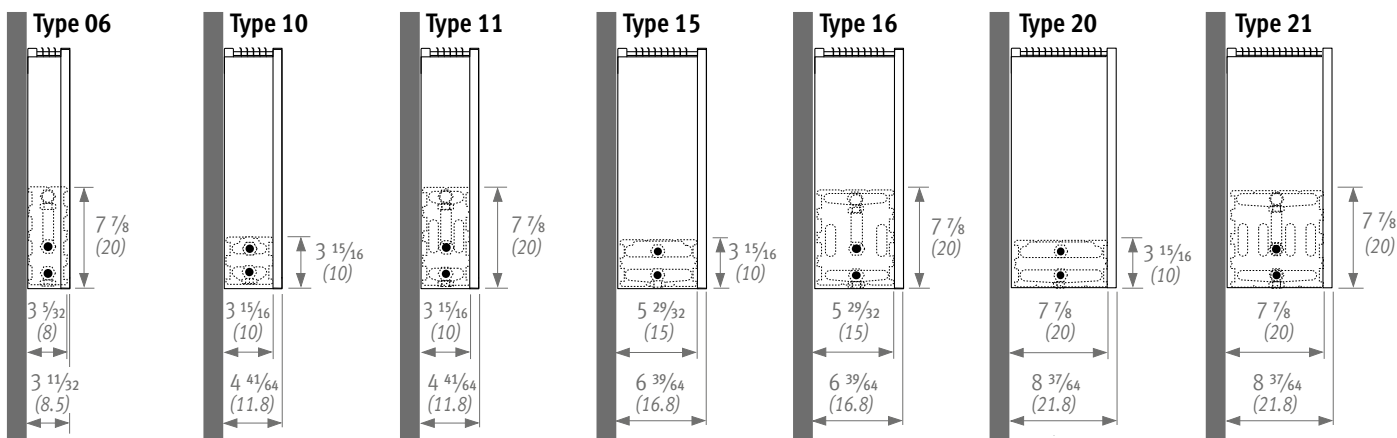
DIMENSIONS



* Smaller dimensions can decrease output.


Type	d	h	D	c	s
10	3 15/16 (10)	3 15/16 (10)	4 41/64 (11.8)	2 3/64 (5.2)	3 15/16 (10)
15	5 29/32 (15)	3 15/16 (10)	6 39/64 (16.8)	3 1/32 (7.7)	4 23/32 (12)
20	7 7/8 (20)	3 15/16 (10)	8 37/64 (21.8)	4 1/64 (10.2)	5 29/32 (15)

Type	d	h	D	c	s
06	3 5/32 (8)	7 7/8 (20)	3 11/32 (8.5)	1 37/64 (4.0)	3 15/16 (10)
11	3 15/16 (10)	7 7/8 (20)	4 41/64 (11.8)	2 3/64 (5.2)	3 15/16 (10)
16	5 29/32 (15)	7 7/8 (20)	6 39/64 (16.8)	3 1/32 (7.7)	4 23/32 (12)
21	7 7/8 (20)	7 7/8 (20)	8 37/64 (21.8)	4 1/64 (10.2)	5 29/32 (15)



Note: dimensions in “()” are shown in centimeters.

The information in this technical brochure is correct at the time of printing. Jaga reserves the right to change product specification at any time in line with our policy of continuous improvement and innovation.

 The dimensions shown in the tables have been rounded off to 0.5".
Dimensions in cm are exact. (1 cm = 0.394")

STRADA TYPE 06

code height length type color conn.
ORDER CODE: STRW. 020 050 06. XXX /00

mean T °F (°C)	H	L 19.5" (050)	23.5" (060)	27.5" (070)	31.5" (080)	35.5" (090)	39.5" (100)	43.5" (110)	47" (120)	55" (140)	63" (160)	71" (180)	78.5" (200)	94.5" (240)	110" (280)
170 (76.7)	8"	1139	1368	1597	1822	2051	2279	2508	2737	3191	3648	4102	4559	5471	6382
160 (71.1)	(020)	989	1188	1387	1582	1781	1979	2178	2377	2771	3168	3562	3959	4751	5542
130 (54.4)		579	696	812	926	1043	1159	1275	1392	1622	1855	2086	2318	2782	3245
110 (43.3)		345	414	483	551	621	690	759	828	966	1104	1242	1380	1656	1932
170 (76.7)	14"	1669	2003	2337	2671	3005	3339	3673	4007	4674	5342	6010	6678	8014	9349
160 (71.1)	(035)	1452	1742	2033	2323	2614	2904	3195	3485	4066	4647	5228	5809	6971	8132
130 (54.4)		856	1027	1198	1369	1540	1712	1883	2054	2396	2739	3081	3424	4108	4793
110 (43.3)		512	615	718	820	923	1025	1128	1230	1436	1641	1846	2051	2461	2872
170 (76.7)	19.5"	1997	2393	2793	3193	3589	3989	4390	4786	5586	6382	7183	7979	9576	11173
160 (71.1)	(050)	1740	2086	2434	2783	3129	3477	3826	4172	4869	5563	6261	6955	8347	9739
130 (54.4)		1034	1239	1446	1653	1859	2066	2273	2478	2893	3305	3720	4132	4959	5786
110 (43.3)		624	748	873	998	1122	1247	1372	1496	1746	1995	2246	2495	2994	3493
170 (76.7)	25.5"	2237	2687	3132	3581	4026	4475	4925	5370	6264	7163	8057	8951	10740	12533
160 (71.1)	(065)	1955	2347	2736	3128	3517	3910	4302	4691	5472	6257	7039	7820	9383	10949
130 (54.4)		1171	1406	1639	1874	2107	2342	2577	2810	3278	3749	4217	4685	5621	6560
110 (43.3)		713	856	997	1141	1282	1426	1569	1710	1995	2282	2567	2852	3421	3993
170 (76.7)	37.5"	---	3069	3578	4091	4600	5113	5626	6135	7157	---	---	---	---	---
160 (71.1)	(095)	---	2693	3140	3590	4036	4486	4936	5383	6280	---	---	---	---	---
130 (54.4)		---	1640	1912	2186	2458	2732	3006	3278	3824	---	---	---	---	---
110 (43.3)		---	1014	1182	1352	1520	1689	1859	2027	2364	---	---	---	---	---

BTU/hr with 65°F (18.3°C) entering air and 1 GPM flow rate

STRADA TYPE 10

code height length type color conn.
ORDER CODE: STRW. 020 050 10. XXX /00

mean T °F (°C)	H	L 19.5" (050)	23.5" (060)	27.5" (070)	31.5" (080)	35.5" (090)	39.5" (100)	43.5" (110)	47" (120)	55" (140)	63" (160)	71" (180)	78.5" (200)	94.5" (240)	110" (280)
170 (76.7)	8"	1390	1666	1946	2221	2501	2777	3056	3332	3887	4443	4998	5554	6665	7775
160 (71.1)	(020)	1207	1446	1689	1928	2171	2410	2653	2893	3375	3857	4339	4821	5786	6750
130 (54.4)		706	846	988	1128	1270	1410	1552	1692	1974	2256	2538	2820	3384	3948
110 (43.3)		420	503	587	671	755	838	923	1006	1174	1342	1509	1677	2013	2348
170 (76.7)	14"	1899	2280	2661	3037	3418	3799	4179	4560	5317	6079	6836	7598	9117	10635
160 (71.1)	(035)	1651	1982	2313	2640	2971	3302	3633	3964	4623	5285	5943	6605	7925	9246
130 (54.4)		971	1165	1360	1552	1747	1942	2136	2331	2718	3108	3495	3884	4661	5437
110 (43.3)		580	696	813	928	1044	1161	1277	1393	1625	1858	2089	2322	2786	3250
170 (76.7)	19.5"	2271	2727	3178	3634	4086	4542	4998	5450	6357	7269	8177	9084	10900	12719
160 (71.1)	(050)	1977	2374	2767	3164	3557	3954	4351	4744	5534	6328	7118	7908	9489	11073
130 (54.4)		1168	1403	1636	1870	2103	2337	2572	2805	3272	3741	4208	4675	5610	6546
110 (43.3)		702	843	983	1124	1263	1404	1545	1685	1966	2248	2529	2809	3371	3933
170 (76.7)	25.5"	2552	3062	3572	4081	4591	5101	5611	6120	7140	8163	9183	10202	12241	14284
160 (71.1)	(065)	2225	2669	3114	3558	4002	4447	4891	5335	6224	7117	8005	8894	10671	12453
130 (54.4)		1322	1586	1850	2115	2379	2643	2907	3171	3699	4230	4758	5286	6342	7401
110 (43.3)		798	958	1117	1277	1437	1596	1756	1915	2234	2555	2874	3193	3831	4470
170 (76.7)	37.5"	---	3506	4089	4672	5259	5842	6425	7012	8178	---	---	---	---	---
160 (71.1)	(095)	---	3065	3575	4084	4598	5107	5617	6130	7150	---	---	---	---	---
130 (54.4)		---	1841	2147	2453	2762	3068	3374	3682	4295	---	---	---	---	---
110 (43.3)		---	1123	1310	1497	1685	1872	2059	2247	2621	---	---	---	---	---

BTU/hr with 65°F (18.3°C) entering air and 1 GPM flow rate



STRADA TYPE 11

code height length type color conn.
 ORDER CODE: STRW. 035 050 11. XXX /00

mean T °F (°C)	H	L 19.5" (050)	23.5" (060)	27.5" (070)	31.5" (080)	35.5" (090)	39.5" (100)	43.5" (110)	47" (120)	55" (140)	63" (160)	71" (180)	78.5" (200)	94.5" (240)	110" (280)
170 (76.7)	14"	2546	3056	3563	4074	4581	5092	5602	6109	7127	8148	9166	10184	12219	14258
160 (71.1)	(035)	2204	2646	3085	3527	3966	4408	4850	5289	6170	7055	7936	8817	10579	12344
130 (54.4)		1276	1532	1786	2042	2296	2552	2808	3062	3572	4084	4594	5105	6125	7147
110 (43.3)		751	902	1051	1202	1352	1503	1653	1803	2103	2405	2705	3006	3607	4209
170 (76.7)	19.5"	2949	3541	4128	4720	5307	5899	6490	7078	8257	9440	10619	11798	14156	16518
160 (71.1)	(050)	2554	3066	3575	4087	4596	5108	5620	6129	7150	8174	9195	10216	12258	14304
130 (54.4)		1479	1776	2071	2368	2663	2959	3256	3551	4143	4736	5328	5919	7103	8288
110 (43.3)		872	1047	1220	1395	1569	1744	1919	2092	2441	2791	3140	3488	4185	4884
170 (76.7)	25.5"	3285	3940	4596	5251	5910	6566	7221	7881	9192	10506	11817	13132	15758	18384
160 (71.1)	(065)	2845	3412	3980	4547	5119	5686	6254	6825	7960	9099	10234	11373	13647	15921
130 (54.4)		1649	1978	2307	2636	2967	3296	3625	3956	4614	5274	5932	6592	7910	9228
110 (43.3)		972	1166	1360	1554	1749	1943	2137	2332	2720	3109	3497	3886	4663	5440
170 (76.7)	37.5"	---	4585	5346	6112	6873	7639	8405	9166	10693	---	---	---	---	---
160 (71.1)	(095)	---	3972	4631	5295	5954	6618	7281	7940	9263	---	---	---	---	---
130 (54.4)		---	2305	2687	3072	3455	3840	4225	4608	5375	---	---	---	---	---
110 (43.3)		---	1360	1586	1813	2039	2266	2493	2719	3172	---	---	---	---	---

BTU/hr with 65°F (18.3°C) entering air and 1 GPM flow rate

STRADA TYPE 15

code height length type color conn.
 ORDER CODE: STRW. 020 050 15. XXX /00

mean T °F (°C)	H	L 19.5" (050)	23.5" (060)	27.5" (070)	31.5" (080)	35.5" (090)	39.5" (100)	43.5" (110)	47" (120)	55" (140)	63" (160)	71" (180)	78.5" (200)	94.5" (240)	110" (280)
170 (76.7)	8"	2308	2770	3232	3694	4156	4617	5079	5541	6465	7388	8312	9235	11082	12930
160 (71.1)	(020)	2005	2406	2807	3208	3609	4010	4411	4813	5615	6417	7219	8021	9626	11230
130 (54.4)		1175	1410	1645	1880	2115	2350	2585	2820	3290	3761	4231	4701	5641	6581
110 (43.3)		700	840	980	1120	1260	1400	1540	1680	1960	2241	2521	2801	3361	3921
170 (76.7)	14"	3105	3726	4347	4968	5589	6210	6831	7452	8694	9936	11178	12421	14905	17389
160 (71.1)	(035)	2701	3242	3782	4323	4863	5403	5944	6484	7565	8646	9727	10807	12969	15131
130 (54.4)		1594	1913	2232	2551	2869	3188	3507	3826	4464	5102	5739	6377	7653	8928
110 (43.3)		956	1147	1338	1530	1721	1912	2103	2295	2677	3060	3442	3825	4590	5355
170 (76.7)	19.5"	3653	4382	5115	5844	6577	7306	8035	8768	10231	11689	13151	14613	17537	20457
160 (71.1)	(050)	3184	3819	4458	5094	5733	6368	7003	7643	8917	10188	11462	12737	15286	17831
130 (54.4)		1891	2268	2648	3025	3404	3782	4159	4539	5296	6050	6807	7564	9078	10590
110 (43.3)		1141	1369	1598	1826	2055	2282	2510	2739	3196	3652	4108	4565	5479	6391
170 (76.7)	25.5"	4038	4845	5651	6462	7269	8076	8883	9690	11307	12921	14539	16152	19384	22615
160 (71.1)	(065)	3526	4230	4935	5643	6347	7052	7756	8461	9873	11282	12695	14104	16926	19747
130 (54.4)		2108	2529	2951	3374	3795	4217	4638	5059	5904	6746	7591	8434	10121	11808
110 (43.3)		1281	1537	1793	2050	2306	2562	2818	3074	3587	4099	4612	5124	6149	7174
170 (76.7)	37.5"	---	5383	6277	7176	8070	8969	9867	10762	12555	---	---	---	---	---
160 (71.1)	(095)	---	4716	5500	6288	7071	7859	8646	9430	11001	---	---	---	---	---
130 (54.4)		---	2858	3333	3810	4285	4762	5239	5714	6666	---	---	---	---	---
110 (43.3)		---	1759	2051	2345	2637	2931	3224	3516	4102	---	---	---	---	---

BTU/hr with 65°F (18.3°C) entering air and 1 GPM flow rate

STRADA TYPE 16

code height length type color conn.
ORDER CODE: STRW. 035 050 16. XXX /00

mean T °F (°C)	H	L 19.5" (050)	23.5" (060)	27.5" (070)	31.5" (080)	35.5" (090)	39.5" (100)	43.5" (110)	47" (120)	55" (140)	63" (160)	71" (180)	78.5" (200)	94.5" (240)	110" (280)
170 (76.7)	14"	3402	4081	4760	5439	6122	6801	7479	8163	9520	10882	12240	13602	16321	19041
160 (71.1)	(035)	2940	3527	4114	4700	5291	5877	6464	7054	8228	9405	10578	11755	14105	16456
130 (54.4)		1691	2028	2365	2703	3042	3379	3717	4056	4731	5408	6083	6759	8111	9463
110 (43.3)		989	1186	1383	1581	1779	1977	2174	2373	2767	3163	3558	3954	4745	5535
170 (76.7)	19.5"	4055	4867	5679	6486	7298	8110	8922	9734	11354	12978	14597	16221	19464	22708
160 (71.1)	(050)	3502	4203	4905	5602	6304	7005	7706	8407	9806	11209	12608	14010	16811	19613
130 (54.4)		2009	2411	2814	3214	3616	4019	4421	4823	5626	6431	7233	8038	9645	11253
110 (43.3)		1173	1407	1642	1876	2111	2346	2580	2815	3284	3753	4222	4692	5630	6568
170 (76.7)	25.5"	4649	5577	6505	7433	8366	9294	10222	11155	13011	14872	16728	18588	22305	26022
160 (71.1)	(065)	4013	4814	5615	6416	7221	8022	8824	9628	11231	12837	14439	16045	19254	22462
130 (54.4)		2297	2755	3214	3673	4133	4592	5051	5511	6429	7348	8265	9185	11021	12858
110 (43.3)		1338	1605	1872	2139	2407	2674	2941	3210	3744	4280	4814	5349	6419	7489
170 (76.7)	37.5"	---	6882	8030	9178	10323	11471	12619	13764	16060	---	---	---	---	---
160 (71.1)	(095)	---	5933	6923	7913	8900	9890	10880	11866	13846	---	---	---	---	---
130 (54.4)		---	3381	3945	4509	5071	5635	6199	6762	7890	---	---	---	---	---
110 (43.3)		---	1960	2287	2614	2940	3267	3595	3921	4575	---	---	---	---	---

STRADA TYPE 20

code height length type color conn.
ORDER CODE: STRW. 020 050 20. XXX /00

mean T °F (°C)	H	L 19.5" (050)	23.5" (060)	27.5" (070)	31.5" (080)	35.5" (090)	39.5" (100)	43.5" (110)	47" (120)	55" (140)	63" (160)	71" (180)	78.5" (200)	94.5" (240)	110" (280)
170 (76.7)	8"	3245	3893	4541	5194	5842	6490	7138	7786	9087	10383	11684	12980	15577	18174
160 (71.1)	(020)	2818	3381	3944	4511	5074	5637	6200	6763	7893	9019	10148	11274	13530	15786
130 (54.4)		1651	1981	2311	2643	2973	3303	3633	3963	4625	5285	5947	6607	7929	9251
110 (43.3)		984	1180	1377	1575	1772	1968	2165	2361	2756	3149	3544	3937	4724	5512
170 (76.7)	14"	4351	5221	6092	6962	7832	8703	9573	10443	12184	13925	15665	17406	20887	24368
160 (71.1)	(035)	3786	4543	5301	6058	6815	7572	8330	9087	10602	12116	13631	15145	18174	21204
130 (54.4)		2234	2681	3128	3574	4021	4468	4915	5362	6256	7149	8043	8937	10724	12512
110 (43.3)		1340	1608	1876	2144	2412	2680	2948	3216	3752	4288	4824	5360	6432	7504
170 (76.7)	19.5"	5111	6131	7155	8174	9198	10218	11242	12262	14305	16349	18393	20436	24524	28611
160 (71.1)	(050)	4455	5343	6236	7125	8017	8906	9798	10687	12469	14250	16031	17812	21375	24938
130 (54.4)		2645	3173	3703	4231	4761	5289	5819	6347	7405	8463	9521	10579	12694	14810
110 (43.3)		1596	1915	2235	2554	2874	3192	3512	3831	4469	5108	5746	6385	7662	8939
170 (76.7)	25.5"	5643	6769	7899	9026	10156	11282	12413	13539	15795	18052	20308	22565	27078	31591
160 (71.1)	(065)	4927	5911	6898	7881	8868	9851	10838	11822	13792	15762	17733	19703	23644	27585
130 (54.4)		2946	3534	4124	4712	5303	5891	6481	7069	8247	9425	10604	11782	14138	16495
110 (43.3)		1790	2147	2506	2863	3222	3579	3937	4295	5011	5726	6442	7158	8590	10022
170 (76.7)	37.5"	---	7502	8751	10005	11255	12505	13754	15004	17507	---	---	---	---	---
160 (71.1)	(095)	---	6573	7668	8767	9862	10957	12052	13147	15341	---	---	---	---	---
130 (54.4)		---	3983	4647	5312	5976	6639	7303	7966	9296	---	---	---	---	---
110 (43.3)		---	2451	2860	3269	3678	4086	4494	4903	5721	---	---	---	---	---

STRADA TYPE 21

code height length type color conn.
ORDER CODE: STRW. 035 050 21. XXX /00

mean T °F (°C)	H	L 19.5" (050)	23.5" (060)	27.5" (070)	31.5" (080)	35.5" (090)	39.5" (100)	43.5" (110)	47" (120)	55" (140)	63" (160)	71" (180)	78.5" (200)	94.5" (240)	110" (280)
170 (76.7)	14"	4522	5425	6332	7235	8142	9044	9947	10854	12664	14470	16280	18089	21709	25324
160 (71.1)	(035)	3902	4682	5464	6243	7026	7805	8585	9367	10929	12487	14049	15611	18735	21855
130 (54.4)		2232	2678	3125	3571	4019	4465	4910	5358	6251	7143	8036	8930	10716	12501
110 (43.3)		1299	1558	1819	2078	2339	2598	2857	3118	3638	4157	4677	5197	6237	7275
170 (76.7)	19.5"	5534	6640	7746	8857	9963	11069	12175	13281	15498	17710	19926	22138	26567	30996
160 (71.1)	(050)	4770	5723	6677	7634	8587	9540	10494	11447	13357	15264	17174	19081	22898	26715
130 (54.4)		2715	3257	3800	4345	4887	5430	5973	6515	7603	8688	9775	10860	13033	15206
110 (43.3)		1572	1887	2201	2516	2831	3145	3459	3774	4403	5032	5662	6290	7549	8807
170 (76.7)	25.5"	6507	7808	9109	10411	11712	13014	14315	15616	18219	20822	23425	26028	31233	36439
160 (71.1)	(065)	5601	6722	7842	8962	10083	11203	12323	13444	15684	17925	20166	22406	26888	31369
130 (54.4)		3173	3808	4443	5078	5713	6347	6982	7617	8887	10156	11426	12695	15234	17774
110 (43.3)		1830	2196	2562	2928	3294	3660	4026	4392	5124	5856	6589	7321	8785	10249
170 (76.7)	37.5"	---	10141	11831	13521	15211	16901	18591	20282	23662	---	---	---	---	---
160 (71.1)	(095)	---	8708	10159	11610	13062	14513	15965	17416	20319	---	---	---	---	---
130 (54.4)		---	4887	5702	6516	7331	8145	8960	9775	11404	---	---	---	---	---
110 (43.3)		---	2792	3258	3723	4189	4654	5119	5585	6516	---	---	---	---	---

BTU/hr with 65°F (18.3°C) entering air and 1 GPM flow rate