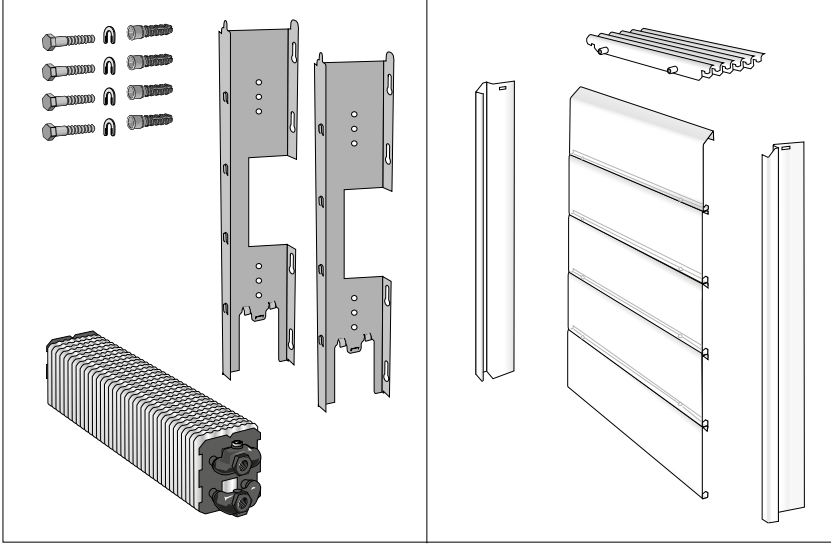




# TEMPO CONTINUOUS

Installation manual

Energy  
**SAVERS**  
LOW-H<sub>2</sub>O



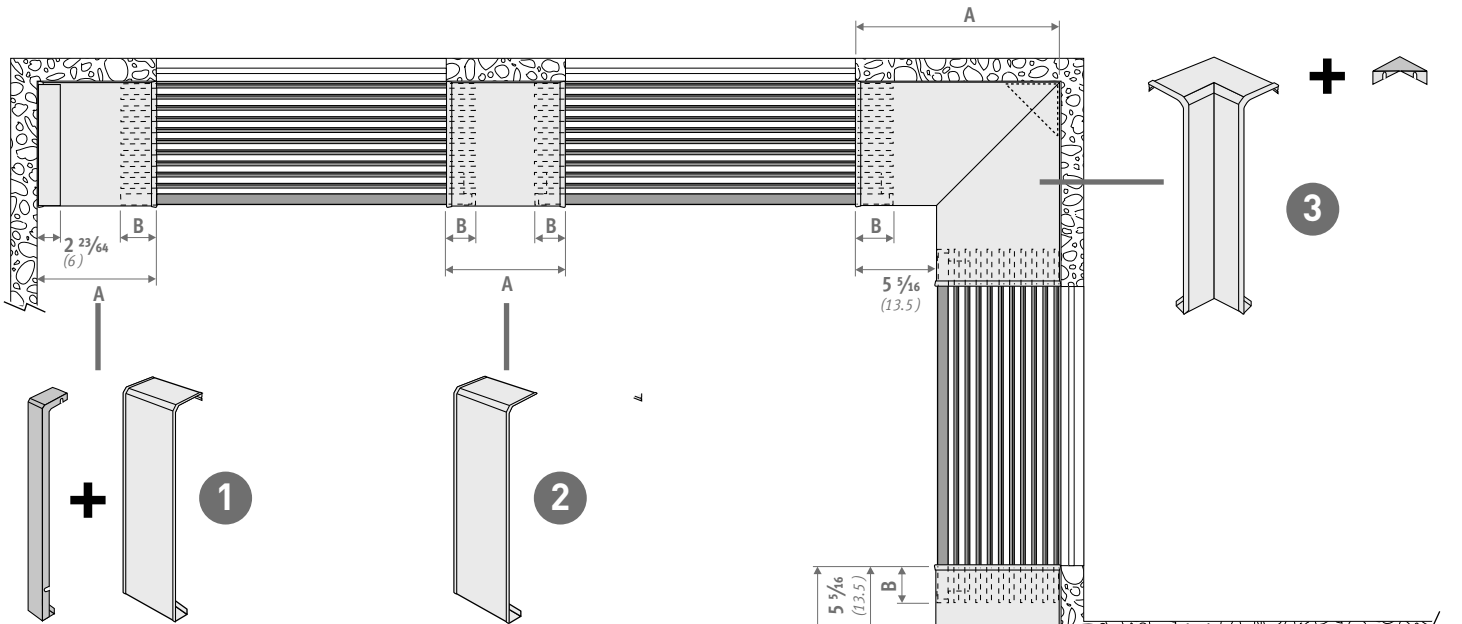
## OPTION

### Locks

CODE 5095.016



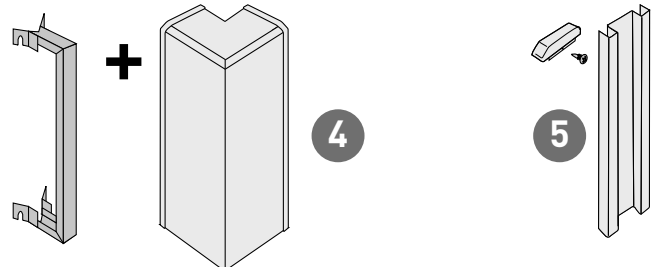
2 per casing. The casing cannot be detached without tools.



1	A	6 <sup>57</sup> / <sub>64</sub> (17.5)	8 <sup>55</sup> / <sub>64</sub> (22.5)	10 <sup>53</sup> / <sub>64</sub> (27.5)	18 <sup>45</sup> / <sub>64</sub> (47.5)
	B min.	1 <sup>3</sup> / <sub>8</sub> (3.5)	1 <sup>3</sup> / <sub>8</sub> (3.5)	1 <sup>3</sup> / <sub>8</sub> (3.5)	1 <sup>3</sup> / <sub>8</sub> (3.5)
	B max.	3 <sup>11</sup> / <sub>32</sub> (8.5)	4 <sup>21</sup> / <sub>64</sub> (11)	5 <sup>5</sup> / <sub>16</sub> (13.5)	9 <sup>1</sup> / <sub>4</sub> (23.5)

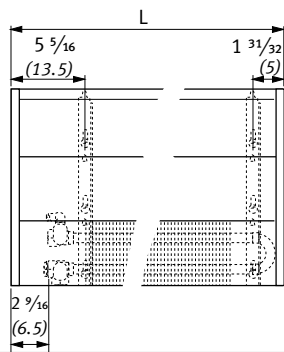
2	A	6 <sup>57</sup> / <sub>64</sub> (17.5)	8 <sup>55</sup> / <sub>64</sub> (22.5)	10 <sup>53</sup> / <sub>64</sub> (27.5)	18 <sup>45</sup> / <sub>64</sub> (47.5)
	B min.	1 <sup>3</sup> / <sub>8</sub> (3.5)	1 <sup>3</sup> / <sub>8</sub> (3.5)	1 <sup>3</sup> / <sub>8</sub> (3.5)	1 <sup>3</sup> / <sub>8</sub> (3.5)
	B max.	4 <sup>21</sup> / <sub>64</sub> (11.0)	6 <sup>19</sup> / <sub>64</sub> (16.0)	8 <sup>17</sup> / <sub>64</sub> (21.0)	16 <sup>9</sup> / <sub>64</sub> (41.0)

3	Type			
	A	10 <sup>3</sup> / <sub>64</sub> (25.5)	12 <sup>1</sup> / <sub>64</sub> (30.5)	13 <sup>31</sup> / <sub>32</sub> (35.5)
4	B min.	1 <sup>3</sup> / <sub>8</sub> (3.5)	1 <sup>3</sup> / <sub>8</sub> (3.5)	1 <sup>3</sup> / <sub>8</sub> (3.5)
	B max.	5 <sup>5</sup> / <sub>16</sub> (13.5)	5 <sup>5</sup> / <sub>16</sub> (13.5)	5 <sup>5</sup> / <sub>16</sub> (13.5)

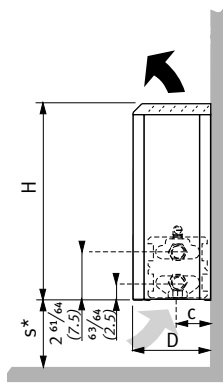
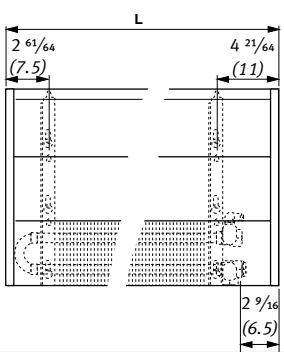


# DIMENSIONS

## Left Hand Connection



## Right Hand Connection



L		H	
15.5"	(040)	8"	(020)
19.5"	(050)	12"	(030)
23.5"	(060)	15.5"	(040)
27.5"	(070)	19.5"	(050)
31.5"	(080)	23.5"	(060)
35.5"	(090)	27.5"	(070)
39.5"	(100)	35.5"	(090)
43.5"	(110)		
47"	(120)		
55"	(140)		
63"	(160)		
71"	(180)		
78.5"	(200)		
86.5"	(220)		
94.5"	(240)		
102.5"	(260)		
110"	(280)		
118"	(300)		

DIMENSIONS			
Type	D	c	h min*
10-11	4 41/64 (11.8)	2 3/32 (5.3)	3 15/16 (10)
15-16	6 39/64 (16.8)	3 5/64 (7.8)	4 23/32 (12)
20-21	8 37/64 (21.8)	4 1/16 (10.3)	5 29/32 (15)

\* Smaller dimensions can decrease output.

