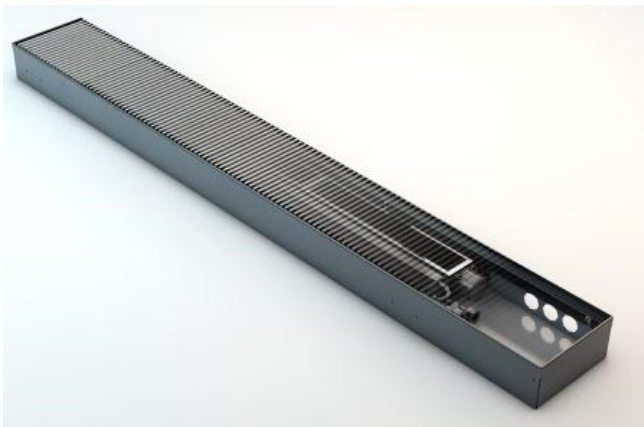
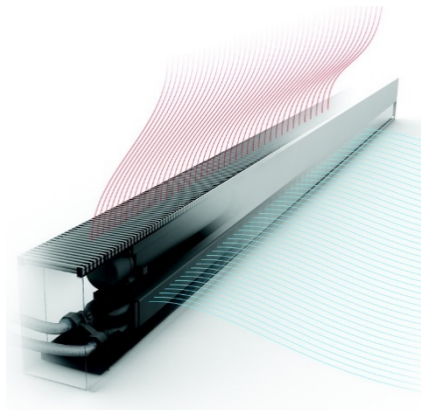


POWER AND LOW VOLTAGE WIRING FOR JAGA 24VDC DYNAMIC PRODUCTS

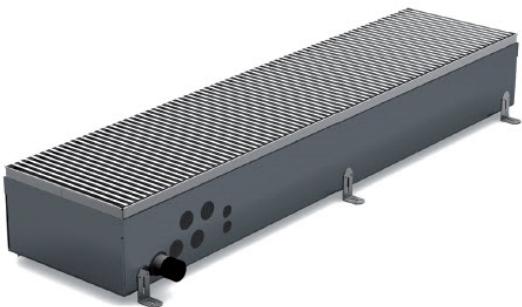
Clima-canal-8, 10



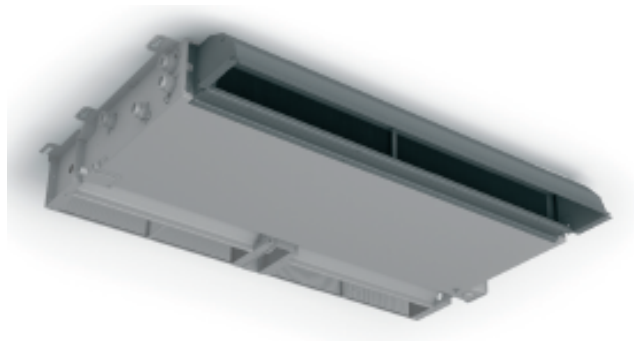
Slim-Clima-canal



Clima-canal-13, 19



Briza-12



This document outlines power, wiring and control requirements to ensure Jaga low voltage products function and are installed correctly.

These specific Jaga dynamic products are all low voltage 24VDC.

Jaga fans require: 1) 24VDC power
2) 0-10V analog signal (or Jaga fan controller)

Power is converted from 115VAC to 24VDC using a Jaga provided power supply.

Jaga products can be wired in series, with the low voltage power daisy chained from one Jaga unit to the next. The quantity of Jaga products that can be powered from a single 100W 120VAC-24VDC power supply is as follows:

Jaga Briza-12 - maximum 3 units for a single power supply

Jaga Clima-Canal-8, 10 - maximum 7 units for a single power supply

Jaga Slim-Clima-canal - maximum 7 units for a single power supply

Jaga Clima-canal-13, 19 - maximum 2 units for a single power supply

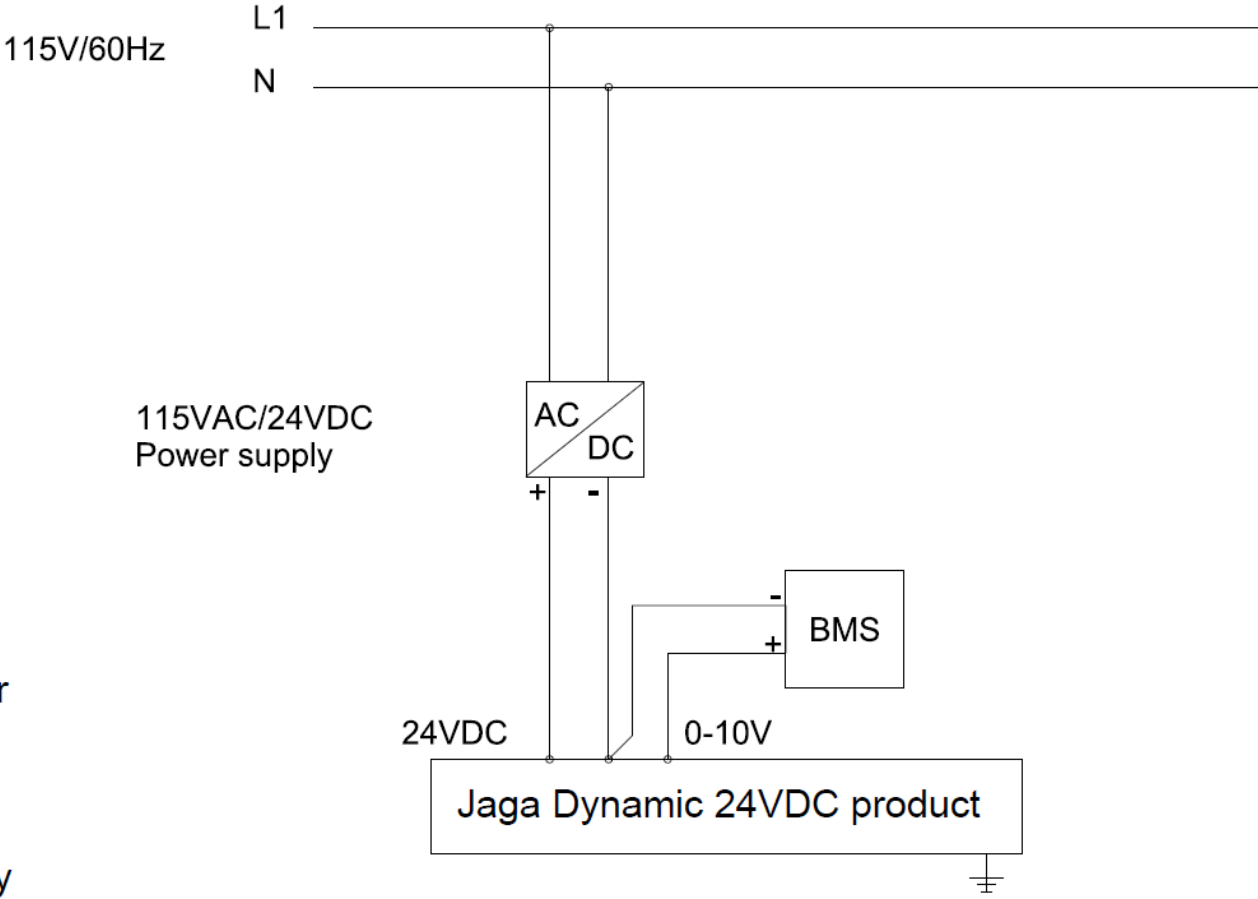
NOTES:

-Division 16 to connect the 115VAC side of the 115VAC-24VDC power supply and must be placed in an electrical enclosure (supplied by Div. 16), located remotely from the Jaga unit.

-Division 15 to run 16AWG stranded wire to the Jaga units, not exceeding 34ft in length from the power supply to the first Jaga unit.

Control signal: 0-10VDC, provided by a BMS DDC or a thermostat with a 0-10VDC output (example: Spartan TE256) must be 0.5mA. 0-10VDC signal can be daisy chained to up to 9 Jaga 24VDC units, which would operate at the same fan speed. 10VDC is max fan speed. 0VDC is fan off.

Scenario 1: 115VAC-24VDC Wiring and power with a 0-10V signal:



Low voltage wiring can be daisy chained to numerous Jaga Dynamic 24VDC products as per scheduled wattage draw

0.5mA 0-10V signal can be daisy chained to up to 9 Jaga Dynamic 24VDC products

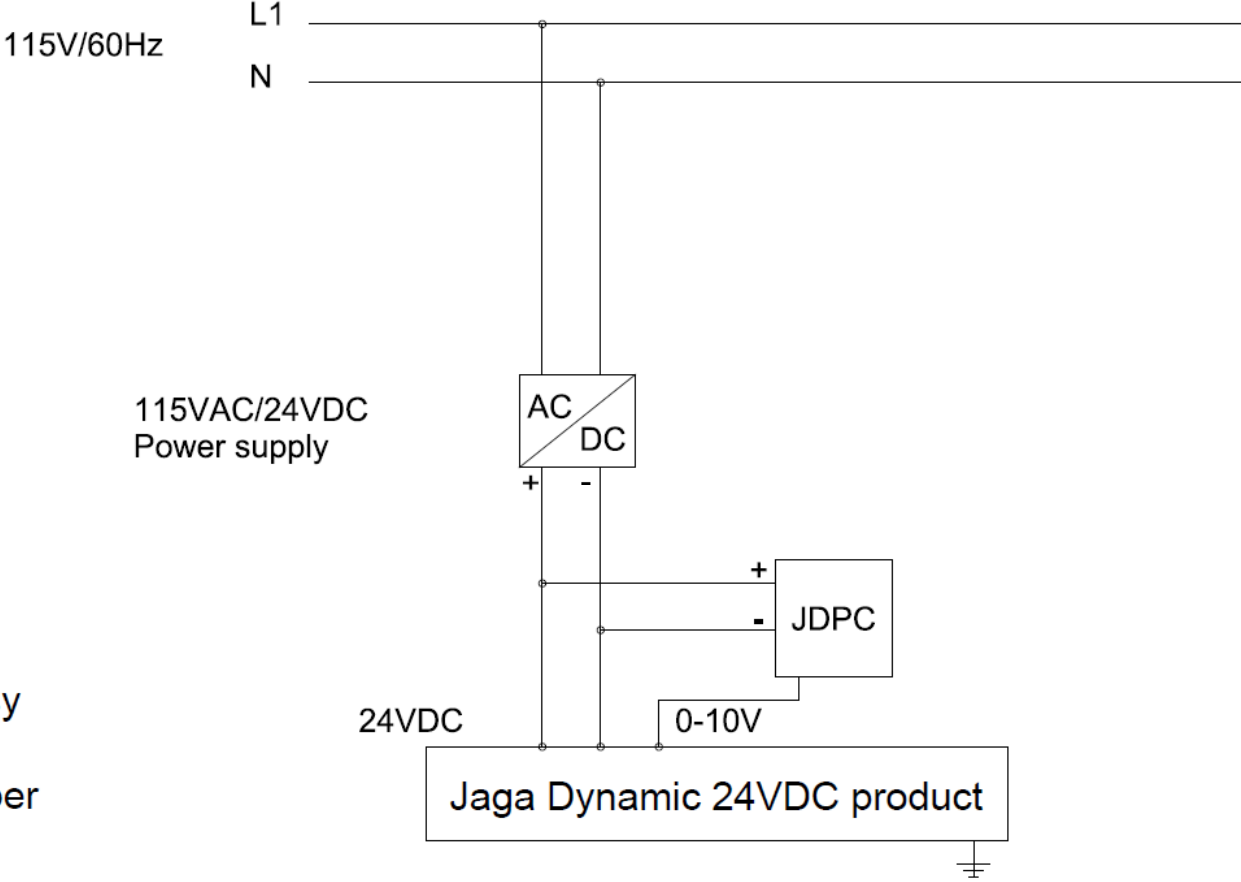
For all electric products, the installation must be carried out in function of the local building codes.

115VAC-24VDC Wiring and power with the Jaga dynamic product fan controller (JDPC):

For projects where it is not possible to provide a 0-10VDC signal or a thermostat with a 0-10VDC output, Jaga has developed a small compact fan controller. The fan controller is factory wired and installed and eliminates the requirement for a 0-10VDC signal (controller generally used for residential projects). The fan controller (JDPC.002) triggers the fan to turn on whenever there is hot water or chilled water flowing through the Jaga coil.



Scenario 2: 115VAC-24VDC Wiring and power with the Jaga dynamic product fan controller:



Low voltage wiring can be daisy chained to numerous Jaga Dynamic 24VDC products as per scheduled wattage draw

For all electric products, the installation must be carried out in function of the local building codes.