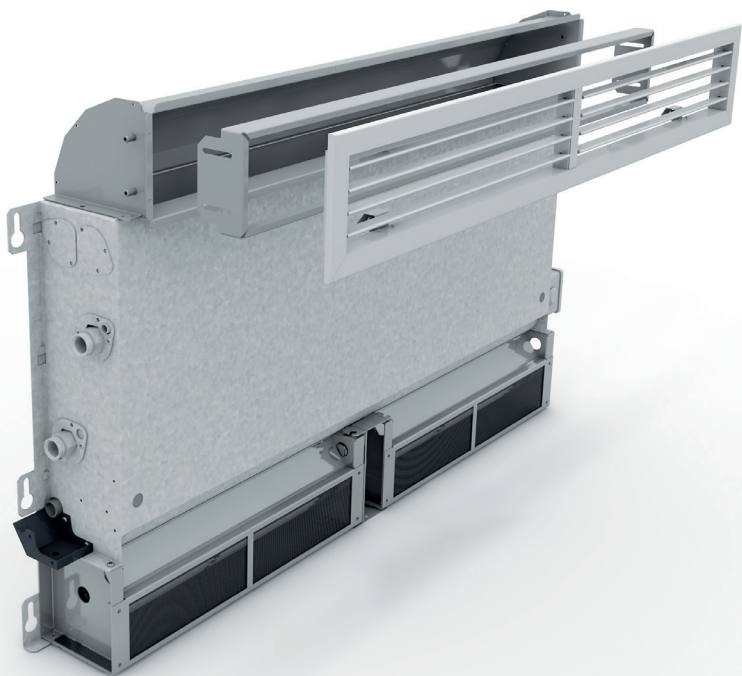


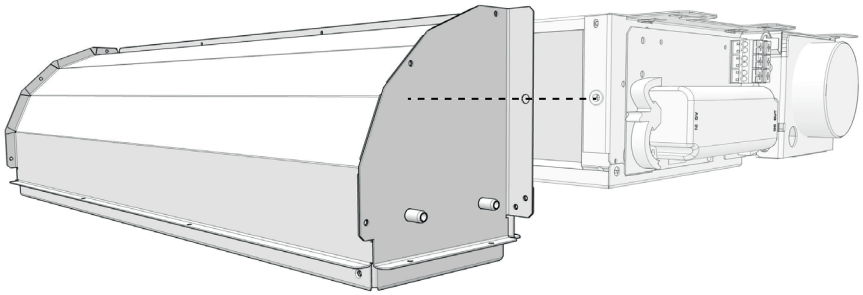
## **Briza 12**

90° AIR OUTLET CORNER PIECE - INSTALLATION INSTRUCTIONS



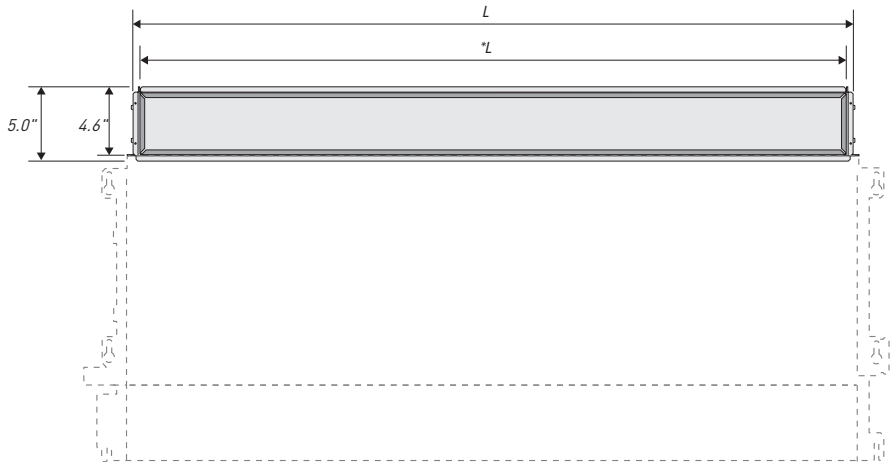
# 1. MOUNTING

1. Align the screw holes of the corner piece with the screw holes on the device.
2. Attach the corner piece with the supplied screws



# 2. DIMENSIONS AIR OUTLET CORNER PIECE

## 2.1. DIMENSIONS OF THE MINIMUM AIR OUTLET OPENING

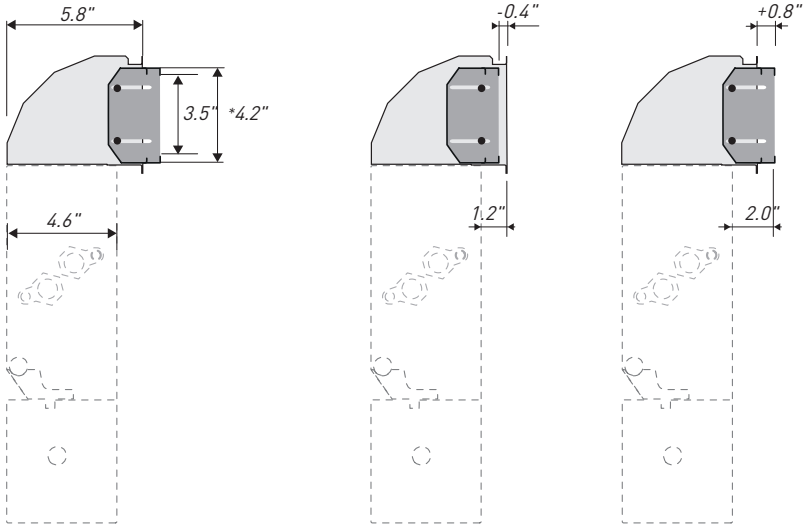


LENGTH	20.5"	28.3"	40.2"	48.0"
L (in)	16.1"	24.0"	35.8"	43.7"
L* (in)	14.6"	22.4"	34.3"	42.1"

\*L: Minimum dimensions of the air outlet opening without outlet grille

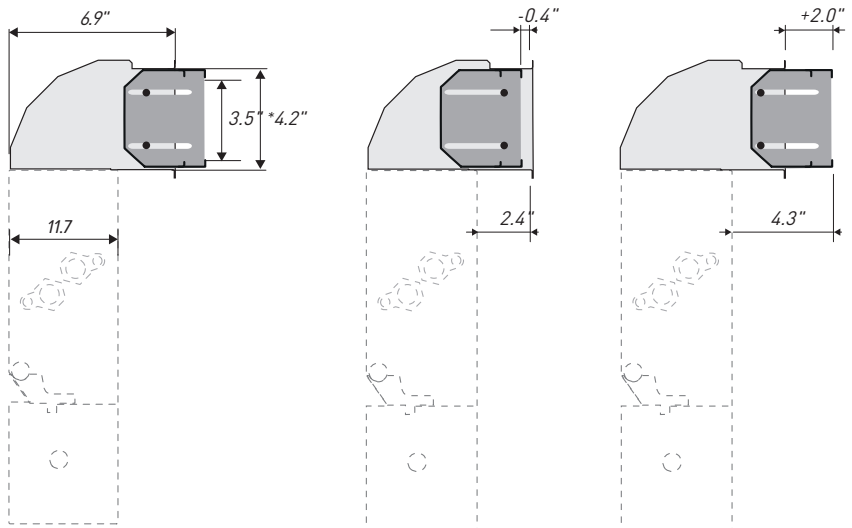
## 2.2. DIMENSIONS AIR OUTLET CORNER PIECE >1.2"

Mounting on the top side of the device



## 2.3. DIMENSIONS AIR OUTLET CORNER PIECE >2.4"

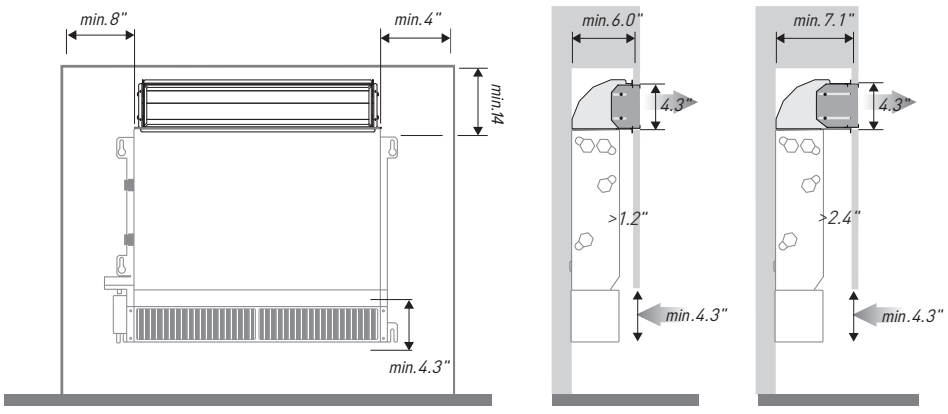
Mounting on the top side of the device



### 3. INSTALLATION DIMENSIONS

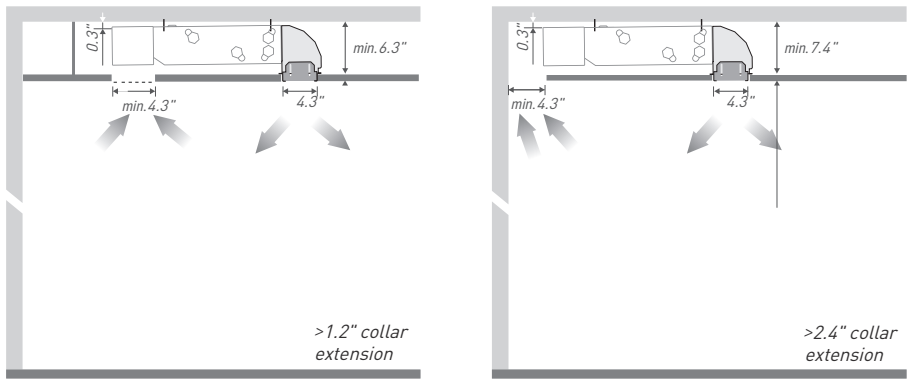
#### 3.1. INSTALLATION IN A WALL RECESS

The device must always be accessible for maintenance. Dimensions without (optional) outlet grille. Return air grille can be used as access panel if made larger than 4.3" in width, extended length 8" on the hydronic side, 4" on the electrical side.

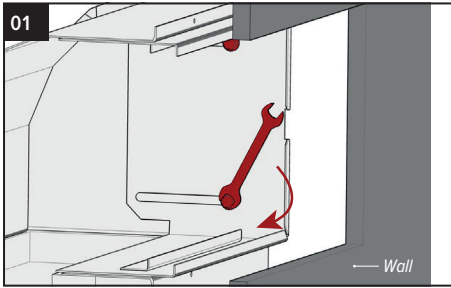


#### 3.2. BUILT-IN CEILING

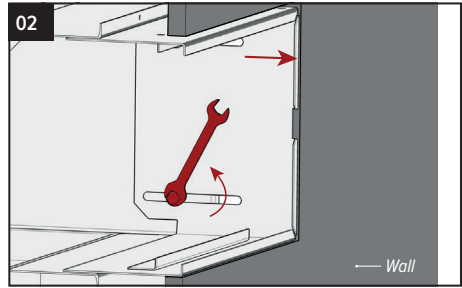
The device must always be accessible for maintenance. Dimensions without (optional) outlet grille. Return air grille can be used as access panel if made larger than 4.3" in width, extended length 8" on the hydronic side, 4" on the electrical side.



### 3.3. ADJUSTING THE ADJUSTABLE NOZZLES



Loosen the 4 screws.

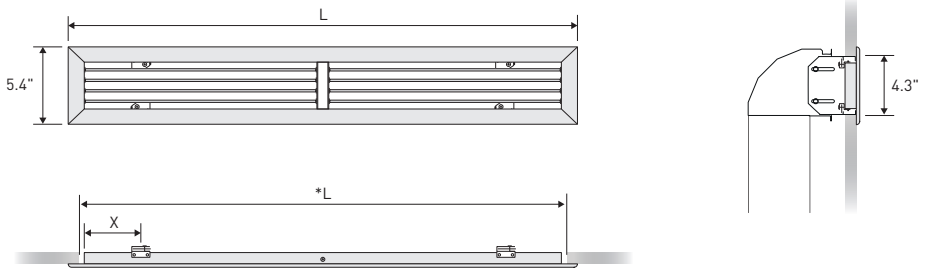


Position the nozzles flush with the front of the wall/ceiling and secure the screws.

## 4. GRILLE CORNER PIECE

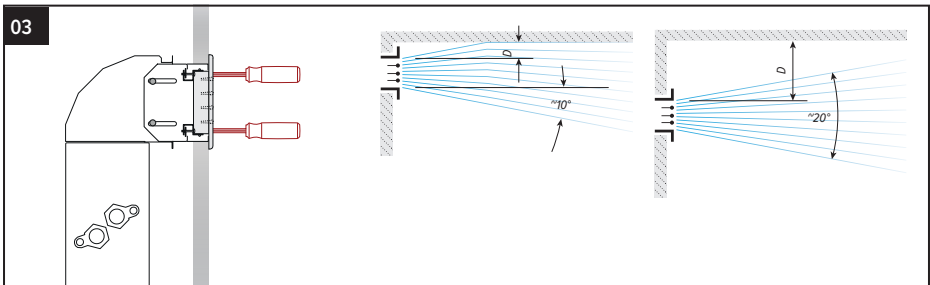
### 4.1. DIMENSIONS

Minimum recess dimensions for mounting the grille.



LENGTH	20.5"	28.4"	40.2"	48.0"
L (in)	15.8"	23.7"	35.5"	43.4"
L* (in)	14.6"	22.4"	34.3"	42.1"
X (in)	3.0"	3.0"	5.9"	5.9"

### 4.2. INSTALLING THE OUTLET GRILLE



Hook the clamps of the grille behind the raised edge of the adjustable outlet corner piece. Use a cross-head screwdriver.



Jaga N.V., Verbindingslaan 16, B-3590 Diepenbeek  
Tel.: +32 (0)11 29 41 11, Fax: +32 (0)11 32 35 78,  
info@jaga.be, www.jaga.com