



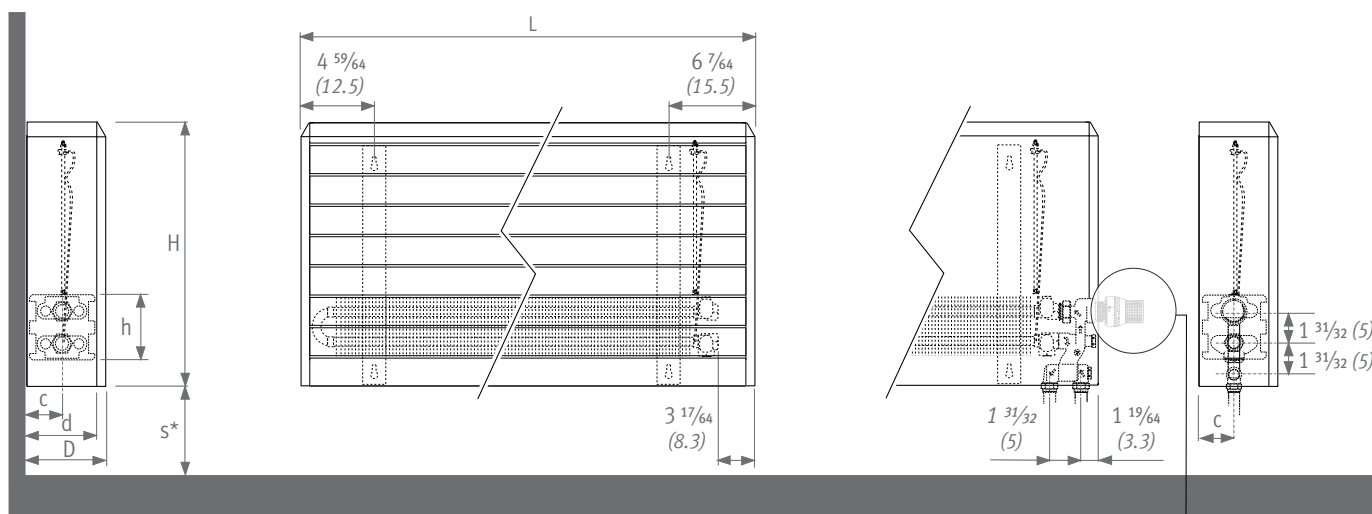
jaga



MAXI NA

Dimensions & heat output

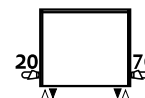
DIMENSIONS



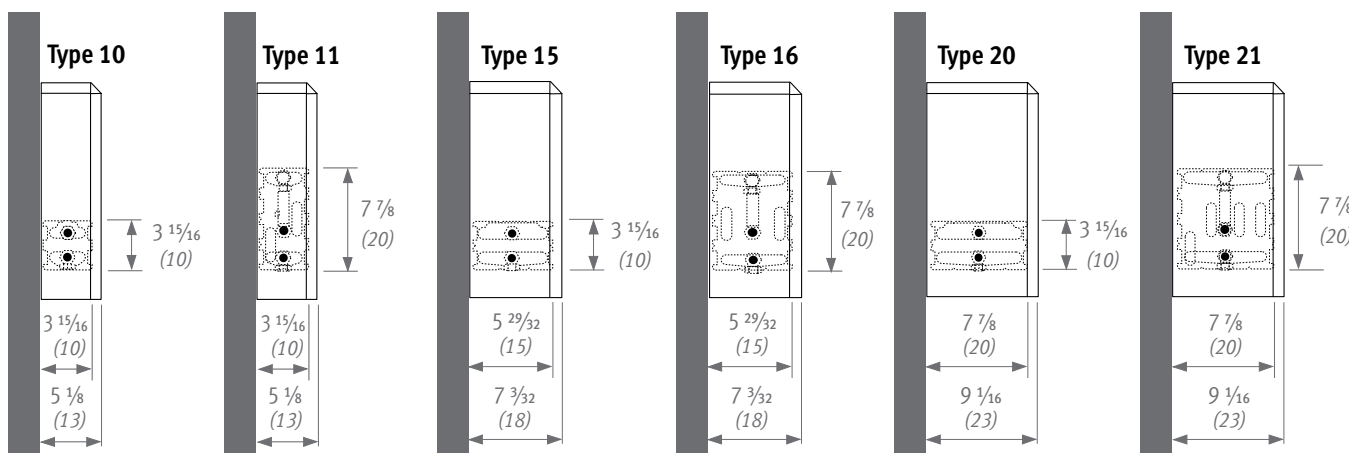
* Smaller dimensions can decrease output.

Type	d	h	D	c	s
10	3 15/16 (10)	3 15/16 (10)	5 1/8 (13)	2 3/32 (5.3)	3 15/16 (10)
15	5 29/32 (15)	3 15/16 (10)	7 3/32 (18)	3 5/64 (7.8)	4 23/32 (12)
20	7 7/8 (20)	3 15/16 (10)	9 1/16 (23)	4 1/16 (10.3)	5 29/32 (15)

Type	d	h	D	c	s
11	3 15/16 (10)	7 7/8 (20)	5 1/8 (13)	2 3/32 (5.3)	3 15/16 (10)
16	5 29/32 (15)	7 7/8 (20)	7 3/32 (18)	3 5/64 (7.8)	4 23/32 (12)
21	7 7/8 (20)	7 7/8 (20)	9 1/16 (23)	4 1/16 (10.3)	5 29/32 (15)



CONNECTION
Standard closed side panels /00.
Apply order code /20 or /70 for open side panel for thermostat.



Type 10/15/20 only available upon request

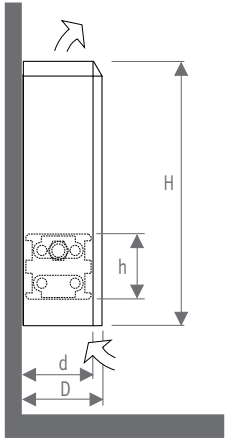
Note: dimensions in "()" are shown in centimeters.

The information in this technical brochure is correct at the time of printing. Jaga reserves the right to change product specification at any time in line with our policy of continuous improvement and innovation.

code height length type color model conn.
ORDER CODE: MAXW. 044 063 11. XXX / WT /00

! The dimensions shown in the tables have been rounded off to 0.5".
 Dimensions in cm are exact. (1 cm = 0.394")

DIMENSIONS



Matrix NA WT is available in lengths from 25" (63) to 80" (203).

OUTPUT

Type	d	h	D	H 17 (44)	23 (59)	29 (74)
10	4 (10)	4 (10)	5 (13)	1169	1342	1474
11	4 (10)	8 (20)	5 (13)	1523	1718	1884
15	6 (15)	4 (10)	7 (18)	1895	2141	2316
16	6 (15)	8 (20)	7 (18)	2064	2395	2701
20	8 (20)	4 (10)	9 (23)	2650	2990	3232
21	8 (20)	8 (20)	9 (23)	2783	3312	3829

Average output in BTU/h foot (active length) with 65°F (18.3°C) entering air and 1 GPM flow rate. Mean water temperature of 160°F (71.1°C).