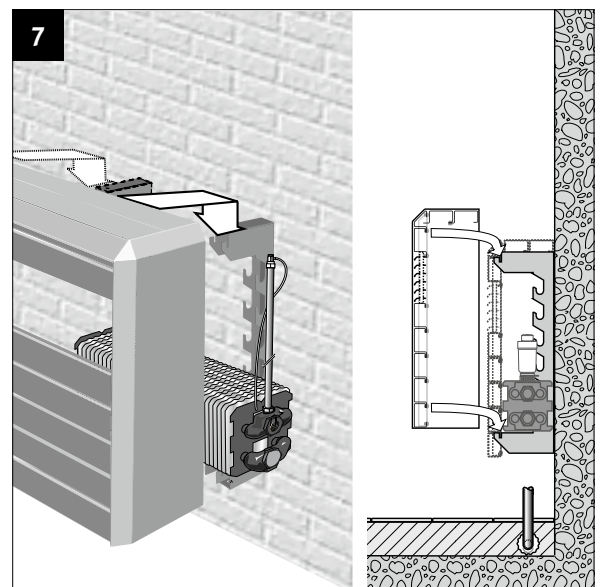
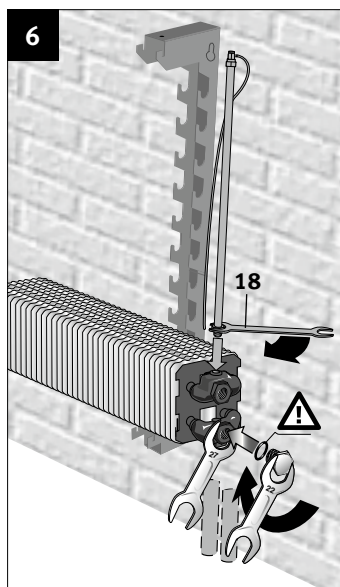
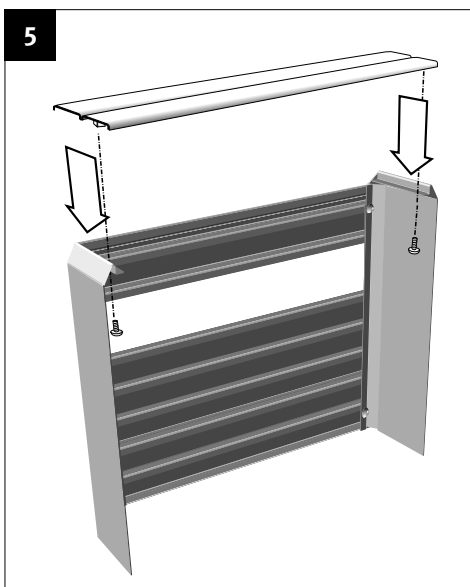
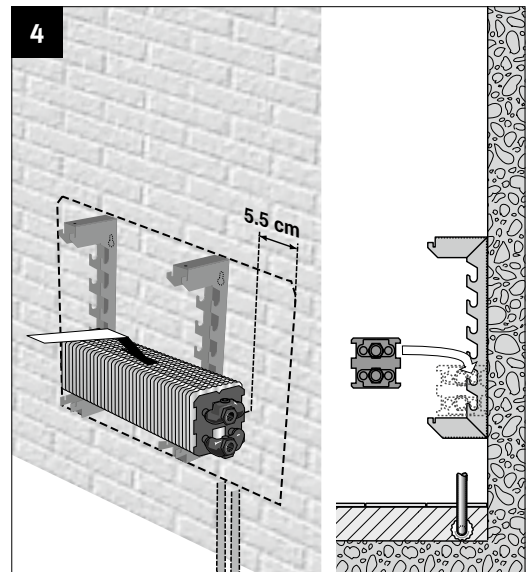
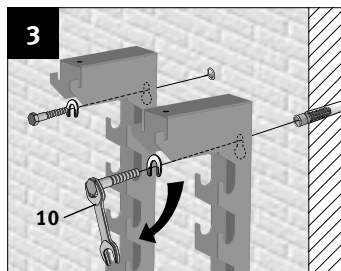
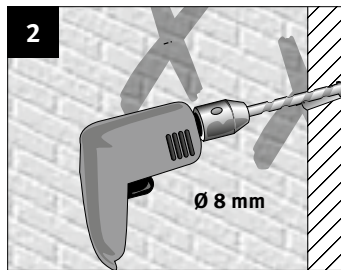
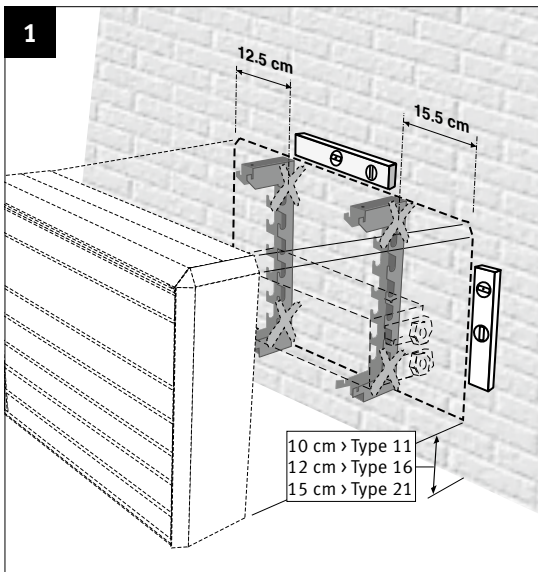
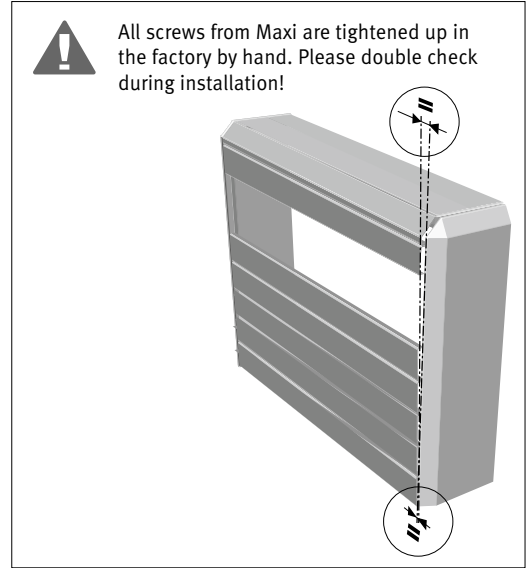
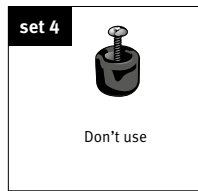
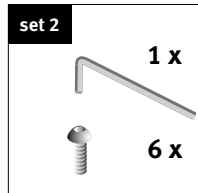
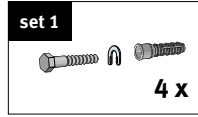
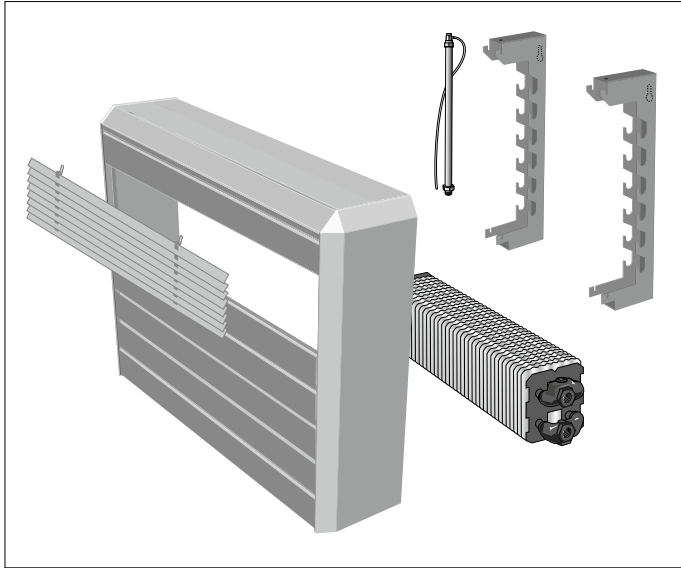




# Maxi WF 2020

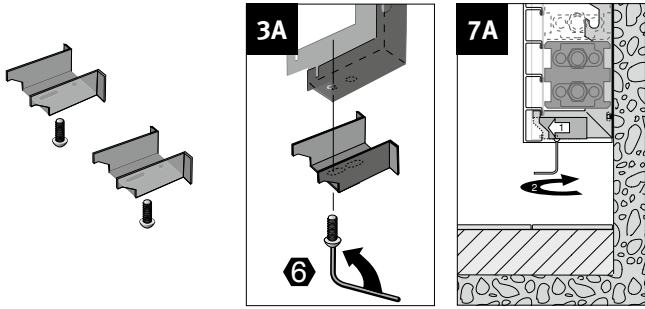
Installation manual

*Energy*  
**SAVERS**  
**LOW-H<sub>2</sub>O**



# OPTIONS

## Mounting locks (Not possible with option base grille.)



## Mounting base grille

