

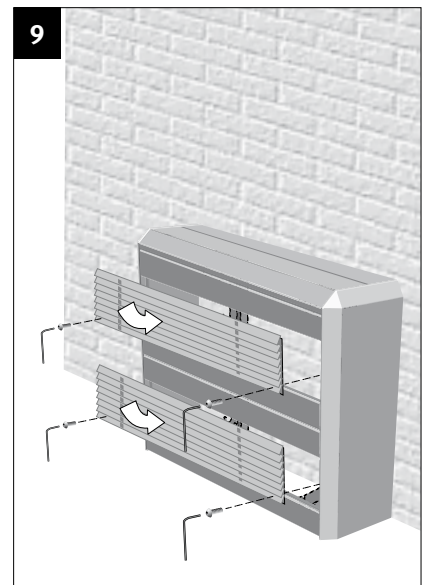
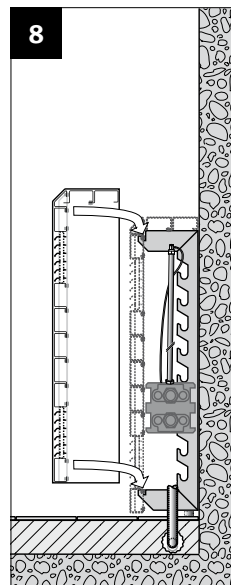
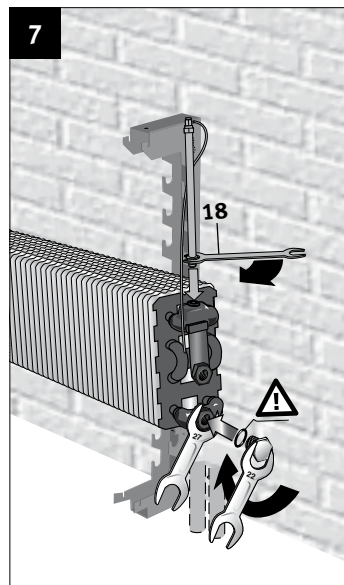
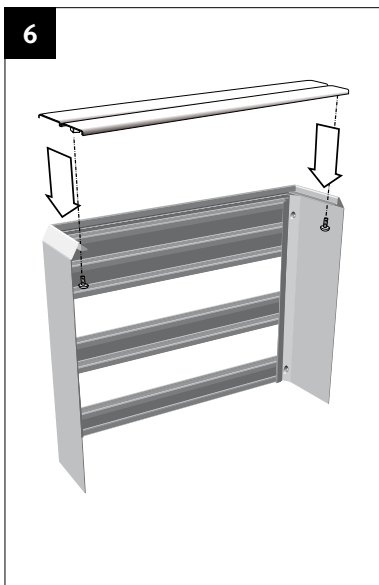
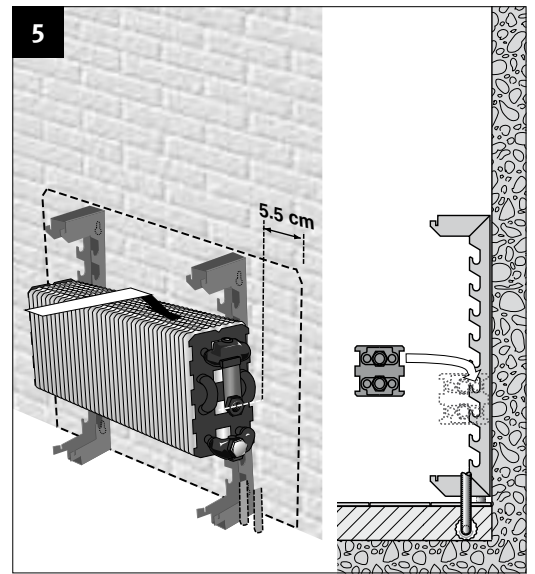
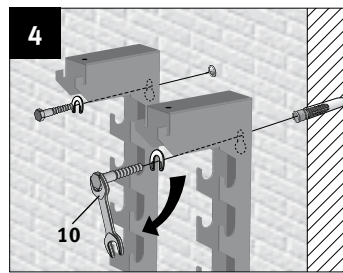
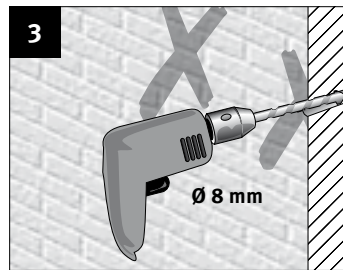
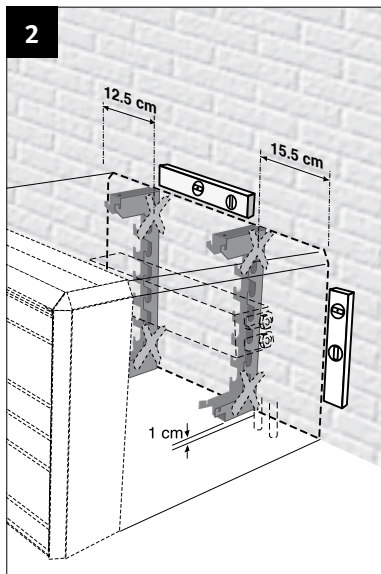
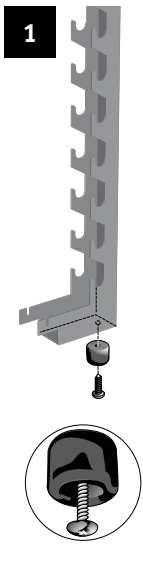
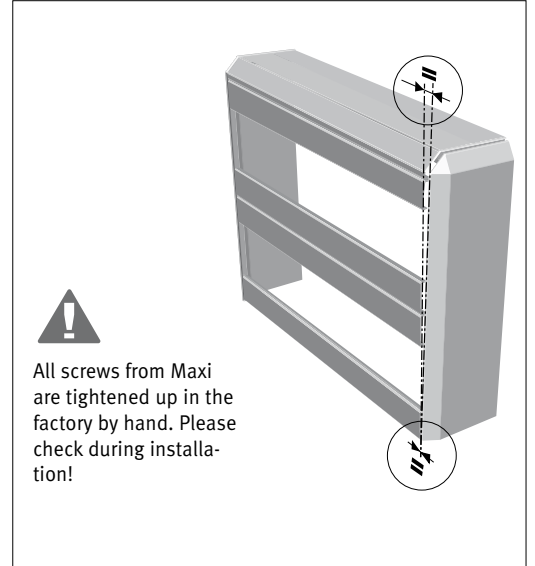
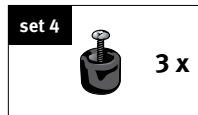
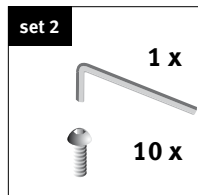
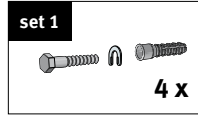
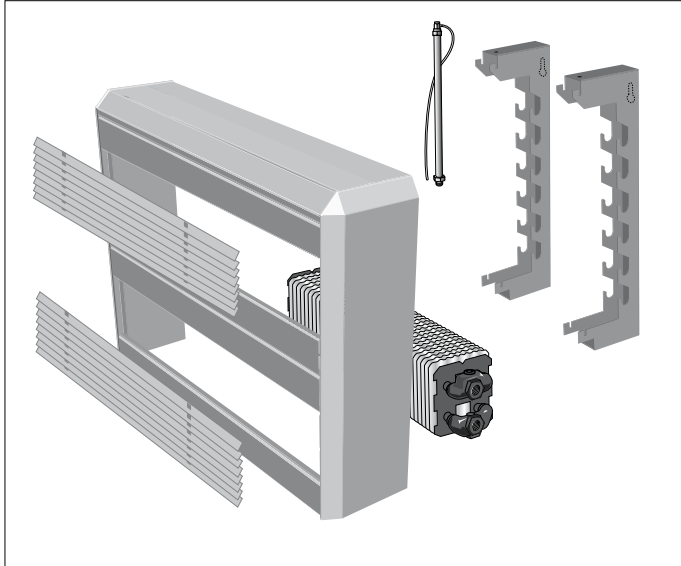


Maxi FF

jaga

Installation manual

Energy
SAVERS
LOW-H₂O



OPTIONS

Mounting locks

